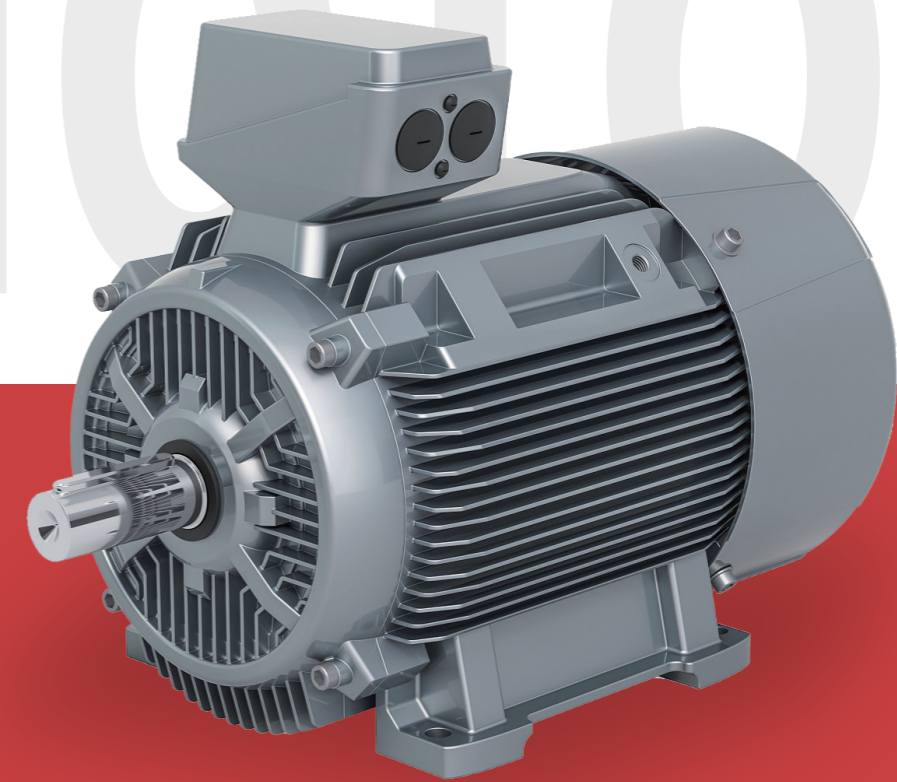


2024

专业电机生产厂商

Professional motor manufacturer

MOTOR



地址: 中国江苏省常州市武进区嘉泽镇晨阳村70号
邮编: 213100
中文网址: www.czyongzhuan.com

内贸部
联系人: 赵经理
电话: 18006128116
邮箱: tony@yongzhuan-motor.com

外贸部
联系人: 陆经理
电话: 15861132046
邮箱: rylee@yongzhuan-motor.com

Address: No.70 Chenyang, Jiaze Town, Wujin District,
Changzhou City, Jiangsu Province, China.
Zip code: 213100
English Website: www.yongzhuan-motor.com

China Marketing Department
Contact person: Tony Zhao
Wechat/Cell: +86-18006128116
Email: tony@yongzhuan-motor.com

International Marketing Department
Contact person: Rylee Lu
Wechat/Cell/WhatsApp: +86-15861132046
Email: rylee@yongzhuan-motor.com

备注:

1. 本样本的内容不具有法律效力, 仅供参考信息。
2. 本样本中的数据随着技术进步允许有变动, 不另行通知, 请注意样板的出版日期。





企业宗旨 (Corporate Tenet)

- 信誉立足，客户至上；
- 高效务实，共赢发展。

Based on reputation, customer first;
Efficient and pragmatic, win-win development.

企业方针 (Corporate Culture)

- 专注细节，品质第一；
- 勇于创新，开拓进取。

Focus on details, quality first; Be innovative and
forge ahead.

Motor

CONTENTS

目录

• 关于永转

About Yongzhuan

企业简介(Company Profile).....	05
品质保证(Quality Assurance).....	06

荣誉资质(Honorary Qualifications).....	07
为什么选择我们(Why choose us).....	08

• 普通三相异步电机

Common Three Phase Asynchronous Motor

YE3系列高效率三相异步电动机.....	11
YE3 Series High Efficiency Three Phase Asynchronous Motor	
YE4系列高效率三相异步电动机.....	19
YE4 Series High Efficiency Three Phase Asynchronous Motor	
MS系列铝壳三相异步电动机.....	24
MS Series Aluminium Three Phase Asynchronous Motor	
YVF2系列变频调速三相异步电动机.....	26
YVF2 Series Variable Frequency and Variable Speed Motor	
YEJ系列电磁制动三相异步电动机.....	28
YEJ Series Electromagnetic Brake Three Phase Asynchronous Motor	
YPEJ系列变频制动三相异步电动机.....	33
YPEJ Series Variable Frequency and Variable Speed Brake Motor	

YFBX3系列粉尘防爆型三相异步电动机.....	53
YFBX3 Series Dust Explosion-proof Three Phase Asynchronous Motor	
YBBP系列变频调速隔爆型三相异步电动机..	56
YBBP Series variable frequency speed Regulation Explosion-proof three-phase asynchronous motor	

• 单相异步电机

Single Phase Asynchronous Motor

YCL系列双值电容单相异步电动机.....	59
YCL Series Two-value Capacitor Single Phase Asynchronous Motor	
YL系列双值电容单相异步电机.....	61
YL Series Two-value Capacitor Single Phase Asynchronous Motor	
YC系列电容启动单相异步电动机.....	64
YC Series Capacitor Starting Single Phase Asynchronous Motor	

• 减速机

Reducer/Gear motor

摆线减速机.....	66
Cycloid Reducer	
齿轮减速机.....	67
Gear Motor	
NMRV蜗轮蜗杆减速机.....	69
NMRV Series Worm Gearbox	

• 减速机专用电机

Motor Special for Reducer

摆线减速机专用三相异步电动机.....	34
Three Phase Asynchronous Motor Special for Cycloid Reducer	
齿轮减速机专用三相异步电动机.....	39
Three Phase Asynchronous Motor Special for Gear Reducer	

• 隔爆型三相异步电机

Explosion-proof Three Phase Asynchronous Motor

YBX3系列高效率隔爆型三相异步电动机.....	45
YBX3 Series High Efficiency Explosion-proof Three Phase Asynchronous Motor	
YBX4系列高效率隔爆型三相异步电动机.....	52
YBX4 Series High Efficiency Explosion-proof Three Phase Asynchronous Motor	

企业简介

Company Profile

常州永转电机有限公司是一家有着二十多年经验的工贸一体综合性电机生产和研发企业。公司位于中国江苏省常州市，交通便捷，临近港口。工厂占地面积10000平方米，注册资金8000万元，年生产电机30万台。

公司主要产品有减速专用电机、YE3、YE4高效电机、YBX3防爆电机及其他特殊定制三相异步电机。产品可广泛应用于减速机、风机、水泵、石油化工、粮食机械、电力、环保等行业。这些产品也已通过中国国家强制性产品CCC认证、欧盟CE认证以及权威第三方质量检测等认证。

我们公司已经通过江苏省高新技术企业认定，并被列为先进制造企业名单。公司同时拥有自营进出口权，产品不仅销往全国各地，还远销欧美、东南亚、中东等多个国家和地区。

Changzhou Yongzhuang Motor Co., Ltd. is a comprehensive motor production and development enterprise with more than 20 years of experience in industry and trade. The company is located in Changzhou, Jiangsu Province, China, with convenient transportation and close to the port. The factory covers an area of 10,000 square meters, the registered capital is 80 million yuan, the annual production is 300,000 sets of motors.

The company's main products are motors special for reducer, YE3, YE4 high efficiency motors, YBX3 explosion-proof motors and other special customized three-phase asynchronous motors. Products can be widely used in reducer, fan, water pump, petrochemical, grain machinery, electric power, environmental protection and other industries. These products have also passed China's national mandatory product CCC certification, EU CE certification and authoritative third-party quality testing certification.

Our company has been recognized as a high-tech enterprise in Jiangsu Province and is listed as an advanced manufacturing enterprise. The company also has the right to import and export, products are not only sold throughout the country, but also exported to Europe, America, Southeast Asia, the Middle East and other countries and regions.



生产/研发

20年 经验

工厂面积

10000 平方米

年产量

30万 台



品质保证

Quality Assurance

随着中国劳动力成本的上升，中国制造业正逐步摆脱人口密集型，向中高端技术转型。我厂也在响应国家的号召，原材料的使用更加节能环保，很多生产环节也被机械化取代，这样不仅可以保证产品质量的稳定，还可以使生产更加高效。工厂目前两条生产线已实现采用智能机器人和自动化生产，智能电机性能检测设备有10余台。

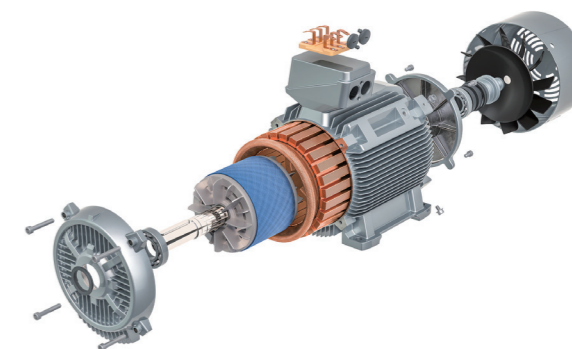
With the rise of labor cost in China, Chinese manufacturing industry is gradually getting rid of population intensive and being turned into medium and high-end technology. Our factory is also responding to the call of the state, the use of raw materials are more energy efficient and environmentally friendly, many production links are also replaced by mechanization, it not only can ensure the stability of product quality, but also make production more efficient.

我们所有的电机在出厂前都经过100%的检测，并由我们的质量团队进行随机检测，以确保电机的质量。

All of our motors would be 100% inspected by motor performance test system machine and be random inspected by our quality team before delivery to ensure the quality of motor.

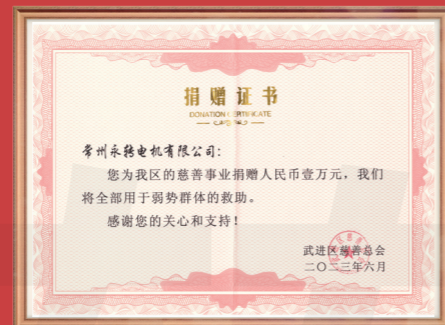
我们使用的所有原材料都是全新的，原材料供应商是国内知名的优质原材料供应商。优质的材料使电机运行效率更高，不易发热。在电机使用过程中出现的问题会减少，电机的使用寿命也会更长。

All the raw materials we use are new and the raw material suppliers are well-known with high quality in China. High-quality materials make the motor run more efficiently and not easy to generate heat. There will be fewer problems during the use of the motor, and the service life of the motor will be longer.



荣誉资质

Honorary Qualifications



为什么选择我们?

Why choose us?



✂ 可定制 (Customization)

我们有专业的研发团队,可以根据客户提供的图纸或样品开发和生产产品。
We have a professional R&D team, and we can develop and produce products according to the drawings or samples the customers offered.

🏠 品质高 (Good-quality)

我们有先进的电机性能检测设备,出厂前100%检测,保证产品质量;我们的产品符合国际标准,不仅受到国内客户的广泛好评,还出口欧美、日本等十几个国家和地区。
We have our own testing lab and the most advanced inspection equipment, 100% inspection before delivery, which can ensure the quality of the products. We have 3C certificate of conformity to the product standard, the CE certificate and the quality inspection report certified by the authoritative third party.

📦 型号全 (Great variety)

我们有完善和优质的供应链,电机规格型号齐全,可以满足不同行业客户的开发和生产需求。
We have a complete and high-quality supply chain, motors with complete specifications and models, which can meet the development and production needs of customers in different industries.

⚙ 产能足 (Sufficient capacity)

我们电机年产量30万台,库存充足,常规型号48小时内快速发货,可以满足不同采购量客户的需求。
we have an annual output of 300,000 sets of motors, sufficient inventory, and rapid delivery of conventional models within 48 hours.

👤 服务好 (Good-service)

我们不仅可以为客户提供高效、精细化的售前售后服务,还能为客户提供行业信息,定制方案战略,帮助客户在市场中更具竞争力。
We can not only provide customers with efficient and refined pre-sales and after-sales service, but also provide customers with industry information, customized solutions and strategies to help customers become more competitive in the market.

🚚 运输优 (Shipment)

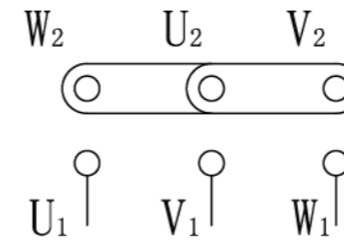
我们提供同城免运费送货上门服务,跨区域优质物流运输,让客户能够快捷、完好的收到我们的电机。
We have long-term cooperation with high-quality freight forwarders, with low cost, safe and fast transportation. And We will ship the goods in strong packing to ensure good condition on arrival.

产品说明

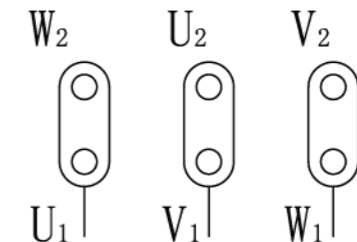
Product Description

使用环境 Site conditions	电机适用于环境温度在-15°C到+40°C,海拔不超过1000米。 Motors are suitable for most working environment at temperature from -15°C to +40°C and altitude below 1000 meters.
绝缘等级 Insulation	电机的绝缘根据F级(105K)设计,B级(80K)考核,保证电机的使用寿命和可靠性。 The motors' insulation system is set to Class F(105K),examined by Class B(80K),which ensure the life span and reliability of the motor.
电机保护 Motor protection	可根据客户要求订制添加温度过热保护装置PTC, PT100等。 Motors can be installed with PTC, PT100 ect. used as winding and bearing temperature measurement on request.
电压频率 Voltage and frequency	常规电压频率为380V/50HZ,可以在200-660V范围订制电压,频率50或者60HZ可选。电机在额定电压±5%的情况之下仍可以正常工作。 Standard voltage and frequency is 380V/50HZ, and can be set to any single voltage in the range of 200-660V at a frequency of 50 or 60HZ. The motors work well within variations of ±50% from the rated voltage.
震动 Vibration	电机振动设计为A级,如有特殊要求,可订做B级。 Motors are designed to vibration class A, vibration class B is available on request.
工作制式 Duty	连续工作制S1 Continuous(S1)
冷却方式 Cooling and ventilation	标准的冷却方式是全封闭自冷式,为IEC60034-6标砖的IC411。标准电机带辅助降温的塑料风叶。 The standard cooling method is totally enclosed fan cooled(TEFC)in accordance with IC411 of IEC60034-6. Standard motors are equipped with auxiliary plastic fans.
绕线 Winding	100%铜线 100% Cooper Wire
防护等级 Protection class	标准防护等级为IP54/IP55,可适用于潮湿和含尘的工作环境。可定制更高的防护等级。 The standard protection class is IP54/IP55, which can be used in humid and dusty environment. Higher degrees of protection is available.

• 接线示意图 (Connecting Diagrams)

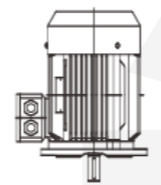
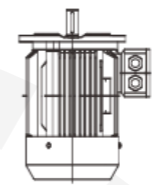
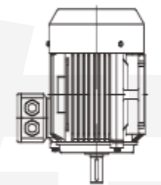
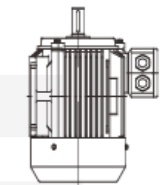
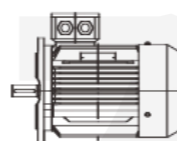
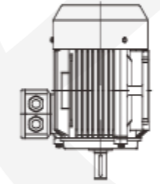
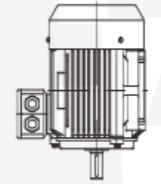
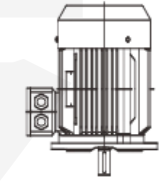
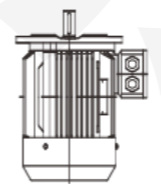
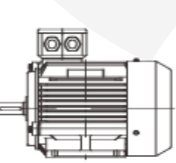
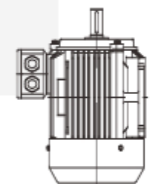
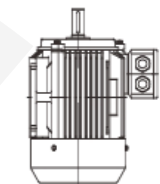
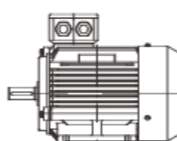
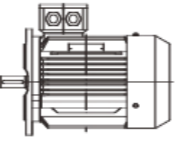
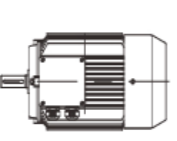
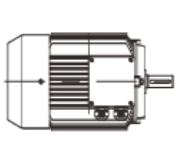
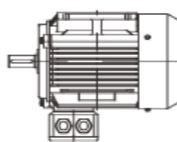
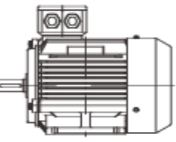


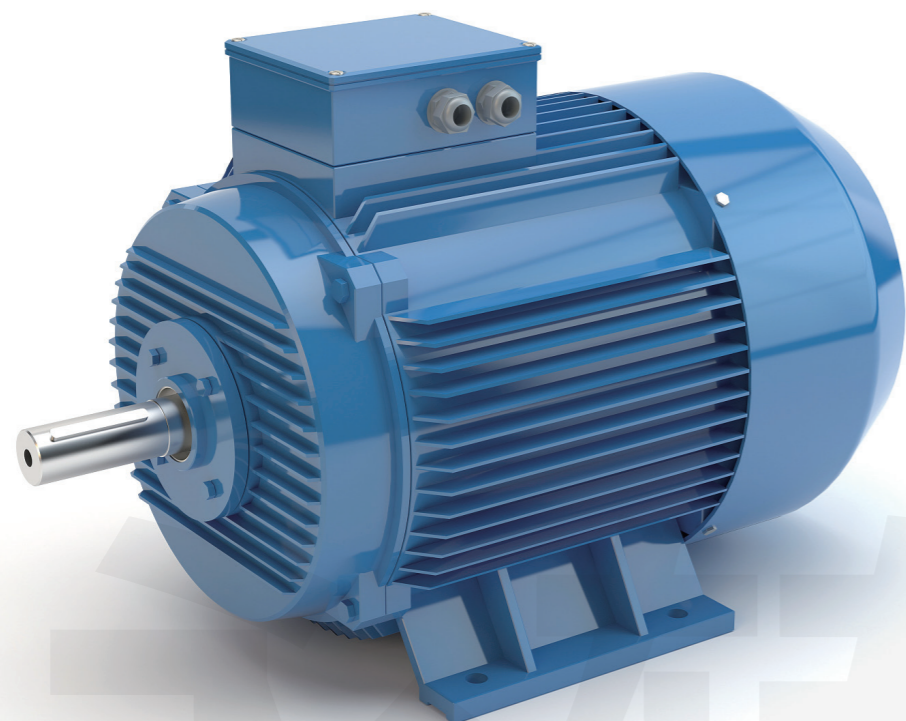
Y接法 (星形接法)
Star Connection



△接法
Delta Connection

• 安装方式 (Mounting Type)

IM V1 IM 3011 63-355		IM V3 IM 3031 63-160		IM V5 IM 1011 63-160		IM V6 IM 1031 63-160	
IM B14 IM 3601 63-132		IM V15 IM 2011 63-160		IM V17 IM 2111 63-132		IM V18 IM 3611 63-132	
IM V19 IM 3631 63-132		IM B34 IM 3101 63-132		IM V35 IM 2031 63-160		IM V37 IM 2131 63-132	
IM B3 IM 1001 63-355		IM B5 IM 3001 63-280		IM B6 IM 1051 63-160		IM B7 IM 1061 63-160	
IM B8 IM 1071 63-160		IM B35 IM 2001 63-355		<ul style="list-style-type: none"> ■ 基本结构形式 (Fundamental arrangement) ■ 安装方式 (Mounting arrangement) ■ 制造范围-机座号 (Range of manufacture-frame size) 			



高效率三相异步电动机
High Efficiency Three Phase Asynchronous Motor

• 技术参数 (Parameters)

型号 Model	额定功率 Rated Power		额定转速 Rated Speed	效率 Efficiency 100%	功率因素 Power Factor	额定电流 Rated Current(A)			额定转矩 Rated Torque (NM)	堵转转矩 / 额定转矩 Ts/Tn	最大转矩 / 额定转矩 Tmax/Tn	堵转电流 / 额定电流 Is/In	重量 Weight kg
	kW	HP				380V	400V	415V					
YE3-631-2	0.18	0.24	2735	65.9	0.8	0.5	0.49	0.48	0.63	2.3	2.2	7.0	4.0
YE3-632-2	0.25	0.34	2735	69.7	0.81	0.7	0.64	0.62	0.87	2.3	2.2	7.0	4.0
YE3-711-2	0.37	0.5	2760	73.8	0.81	0.9	0.89	0.86	1.28	2.3	2.2	7.0	6.5
YE3-712-2	0.55	0.75	2760	77.8	0.82	1.3	1.24	1.20	1.90	2.3	2.2	7.0	7.5
YE3-801-2	0.75	1	2880	80.7	0.82	1.7	1.6	1.6	2.49	2.3	2.3	7.0	18.1
YE3-802-2	1.1	1.5	2880	82.7	0.83	2.4	2.3	2.2	3.65	2.2	2.3	7.3	19.5
YE3-90S-2	1.5	2	2895	84.2	0.84	3.2	3.1	3.0	4.95	2.2	2.3	7.6	23.3
YE3-90L-2	2.2	3	2895	85.9	0.85	4.6	4.3	4.2	7.26	2.2	2.3	7.6	27.1
YE3-100L-2	3	4	2895	87.1	0.87	6.0	5.7	5.5	9.9	2.2	2.3	7.8	38.8
YE3-112M-2	4	5.5	2905	88.1	0.88	7.8	7.4	7.2	13.1	2.2	2.3	8.3	48.8
YE3-132S1-2	5.5	7.5	2930	89.2	0.88	10.6	10.1	9.7	17.9	2	2.3	8.3	55.1
YE3-132S2-2	7.5	10	2930	90.1	0.88	14.4	13.7	13.2	24.4	2	2.3	7.9	69.2
YE3-160M1-2	11	15	2945	91.2	0.89	20.6	19.6	18.9	35.7	2	2.3	8.1	113
YE3-160M2-2	15	20	2945	91.9	0.89	27.9	26.5	25.5	48.6	2	2.3	8.1	123
YE3-160L-2	18.5	25	2940	92.4	0.89	34.2	32.5	31.3	60.1	2	2.3	8.2	142
YE3-180M-2	22	30	2955	92.7	0.89	40.5	38.5	37.1	71.1	2	2.3	8.2	182
YE3-200L1-2	30	40	2960	93.3	0.89	54.9	52.1	50.3	96.8	2	2.3	7.6	246
YE3-200L2-2	37	50	2960	93.7	0.89	67.4	64.0	61.7	119.4	2	2.3	7.6	265
YE3-225M-2	45	60	2965	94.0	0.90	80.8	76.8	74.0	144.9	2	2.3	7.7	323
YE3-250M-2	55	75	2970	94.3	0.90	98.5	93.5	90.2	176.9	2	2.3	7.7	413
YE3-280S-2	75	100	2975	94.7	0.90	133.7	127.0	122.4	240.8	1.8	2.3	7.1	546
YE3-280M-2	90	125	2975	95.0	0.90	159.9	151.9	146.4	288.9	1.8	2.3	7.1	569
YE3-315S-2	110	150	2975	95.2	0.90	195.1	185.3	178.6	352.8	1.8	2.3	7.1	897
YE3-315M-2	132	180	2978	95.4	0.90	233.6	221.9	213.9	423.3	1.8	2.3	7.1	1029
YE3-315L1-2	160	200	2978	95.6	0.91	279.4	265.5	255.9	512.8	1.8	2.3	7.2	1067
YE3-315L2-2	200	270	2980	95.8	0.91	348.6	331.1	319.2	640.9	1.8	2.2	7.2	1194
YE3-355M-2	250	340	2980	95.8	0.91	435.7	413.9	399.0	800.6	1.6	2.2	7.2	1685
YE3-355L-2	315	430	2982	95.8	0.91	549.0	521.5	502.7	1009	1.6	2.2	7.2	1734

YE3系列三相异步电动机符合GB18613-2012中规定的二级能效要求, 以及IEC60034-30-2008标准的IE3能效等级。

相比于普通电机, 该电机的效率更高, 是节能环保的首选。电机采用先进的设计理念; 成熟、精密的加工工艺; 优质高端的原材料, 具有结构紧凑、能效高、噪声低、振动小、运转平稳可靠、使用寿命长等特点。可广泛应用于风机、水泵、机床、压缩机运输机械等驱动各种通用机械设备。

YE3 series three-phase asynchronous motors meet the level 2 energy efficiency requirements specified in GB18613-2012, and the IE3 energy efficiency rating of IEC60034-30-2008 standard.

Compared with ordinary motors, the motor has higher efficiency, which is the first choice for energy saving and environmental protection. The motor adopts advanced design concept; Mature and precise processing technology; High quality raw materials, with many advantages such as compact structure, high energy efficiency, low noise, low vibration, stable and reliable operation, long service life and so on. As a driving equipment, it is widely used in all kinds of fans, pumps, machine tools and other equipment.

• 技术参数 (Parameters)

型号 Model	额定功率 Rated Power		额定 转速 Rated Speed	效率 Efficiency 100%	功率因素 Power Factor	额定电流 Rated Current(A)			额定转矩 Rated Torque (NM)	堵转转矩 / 额定转矩 Ts/Tn	最大转矩 / 额定转矩 Tmax/Tn	堵转电流 / 额定电流 Is/In	重量 Weight kg
	kW	HP				380V	400V	415V					
YE3-631-4	0.12	0.16	1330	64.8	0.72	0.4	0.37	0.36	0.86	2.1	2.2	6.6	4.0
YE3-632-4	0.18	0.24	1330	69.9	0.73	0.5	0.51	0.49	1.29	2.1	2.2	6.6	4.5
YE3-711-4	0.25	0.34	1350	73.5	0.74	0.7	0.66	0.64	1.77	2.1	2.2	6.6	6.5
YE3-712-4	0.37	0.5	1350	77.3	0.75	1.0	0.92	0.89	2.62	2.1	2.2	6.6	7.5
YE3-801-4	0.55	0.75	1400	80.8	0.75	1.4	1.3	1.3	3.75	2.4	2.3	5.2	17.6
YE3-802-4	0.75	1	1420	82.5	0.75	1.8	1.7	1.7	5.04	2.3	2.3	5.6	18.4
YE3-90S-4	1.1	1.5	1445	84.1	0.76	2.6	2.5	2.4	7.27	2.3	2.3	6.6	24.2
YE3-90L-4	1.5	2	1445	85.3	0.77	3.5	3.3	3.2	9.91	2.3	2.3	6.8	29.7
YE3-100L1-4	2.2	3	1435	86.7	0.81	4.8	4.5	4.4	14.6	2.3	2.3	7	41.5
YE3-100L2-4	3	4	1435	87.7	0.82	6.3	6.0	5.8	20	2.3	2.3	7.6	46
YE3-112M-4	4	5.5	1440	88.6	0.82	8.4	7.9	7.7	26.5	2.2	2.3	7.6	63.2
YE3-132S-4	5.5	7.5	1460	89.6	0.83	11.2	10.7	10.3	36	2	2.3	7.8	71.2
YE3-132M-4	7.5	10	1460	90.4	0.84	15.0	14.3	13.7	49.1	2	2.3	7.8	85.1
YE3-160M-4	11	15	1465	91.4	0.85	21.5	20.4	19.7	71.7	2.2	2.3	7.9	121
YE3-160L-4	15	20	1465	92.1	0.86	28.8	27.3	26.3	97.8	2.2	2.3	7.5	142
YE3-180M-4	18.5	25	1470	92.6	0.86	35.3	33.5	32.3	120.2	2	2.3	7.8	181
YE3-180L-4	22	30	1470	93.0	0.86	41.8	39.7	38.3	142.9	2	2.3	7.8	209
YE3-200L-4	30	40	1475	93.6	0.86	56.6	53.8	51.9	194.2	2	2.3	7.8	284
YE3-225S-4	37	50	1485	93.9	0.86	69.6	66.1	63.7	237.9	2	2.3	7.8	328
YE3-225M-4	45	60	1485	94.2	0.86	84.4	80.2	77.3	289.4	2	2.3	7.3	363
YE3-250M-4	55	75	1485	94.6	0.86	102.7	97.6	94.1	353.7	2.2	2.3	7.4	442
YE3-280S-4	75	100	1486	95.0	0.88	136.3	129.5	124.8	482	2	2.3	7.4	569
YE3-280M-4	90	125	1486	95.2	0.88	163.2	155.1	149.5	578.4	2	2.3	7.4	639
YE3-315S-4	110	150	1488	95.4	0.89	196.8	187.0	180.2	706	2	2.2	6.9	939
YE3-315M-4	132	180	1488	95.6	0.89	235.7	223.9	215.8	847.2	2	2.2	6.9	1033
YE3-315L1-4	160	200	1488	95.8	0.89	285.1	270.9	261.1	1027	2	2.2	7	1126
YE3-355L2-4	200	270	1490	96.0	0.90	315.7	334.1	322.0	1282	2	2.2	7	1238
YE3-355M-4	250	340	1490	96.0	0.90	439.6	417.7	402.6	1602	2	2.2	7.1	1830
YE3-355L-4	315	430	1490	96.0	0.90	553.9	526.2	507.2	2019	2	2.2	7.1	1950

• 技术参数 (Parameters)

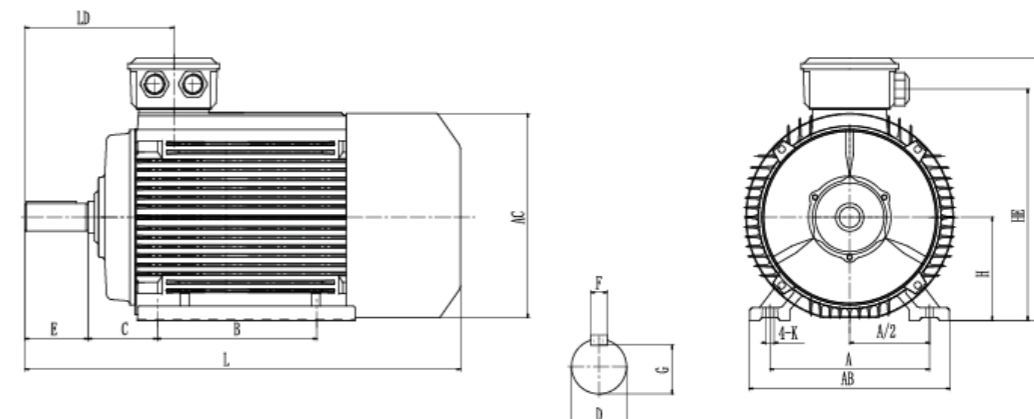
型号 Model	额定功率 Rated Power		额定 转速 Rated Speed	效率 Efficiency 100%	功率因素 Power Factor	额定电流 Rated Current(A)			额定转矩 Rated Torque (NM)	堵转转矩 / 额定转矩 Ts/Tn	最大转矩 / 额定转矩 Tmax/Tn	堵转电流 / 额定电流 Is/In	重量 Weight kg
	kW	HP				380V	400V	415V					
YE3-711-6	0.18	0.24	860	63.9	0.66	0.6	0.62	0.59	2.00	1.9	1.9	6.0	6.0
YE3-712-6	0.25	0.34	860	68.6	0.68	0.8	0.77	0.75	2.78	1.9	1.9	6.0	7.5
YE3-801-6	0.37	0.5	890	62.0	0.70	1.3	1.2	1.2	3.97	1.9	2	4.7	15.2
YE3-802-6	0.55	0.75	890	73.6	0.72	1.6	1.5	1.4	5.9	1.9	2.1	4.7	16.6
YE3-90S-6	0.75	1	935	78.9	0.72	2.0	1.9	1.8	7.66	2	2.1	6	24.1
YE3-90L-6	1.1	1.5	945	81.0	0.73	2.8	2.7	2.6	11.1	2	2.1	6	25.7
YE3-100L-6	1.5	2	949	82.5	0.74	3.7	3.5	3.4	15.1	2	2.1	6.5	34.9
YE3-112M-6	2.2	3	955	84.3	0.74	5.4	5.1	4.9	22	2	2.1	6.6	54.2
YE3-132S-6	3	4	968	85.6	0.74	7.2	6.8	6.6	29.6	2	2.1	6.8	62.3
YE3-132M1-6	4	5.5	968	86.8	0.74	9.5	9.0	8.7	39.5	2	2.1	6.8	75.2
YE3-132M2-6	5.5	7.5	968	88.0	0.75	12.7	12.0	11.6	54.3	2	2.1	7	82.3
YE3-160M-6	7.5	10	970	89.1	0.79	16.2	15.4	14.8	73.8	2	2.1	7	112
YE3-160L-6	11	15	970	90.3	0.80	23.1	22.0	21.2	108.3	2	2.1	7.2	134
YE3-180L-6	15	20	978	91.2	0.81	30.9	29.3	28.2	146.5	2	2.1	7.3	197
YE3-200L1-6	18.5	25	980	91.7	0.81	37.8	36.0	34.7	180.3	2	2.1	7.3	234
YE3-200L2-6	22	30	980	92.2	0.81	44.8	42.5	41.0	214.4	2	2.1	7.4	251
YE3-225M-6	30	40	980	92.9	0.83	59.1	56.2	54.1	292.3	2	2.1	6.9	308
YE3-250M-6	37	50	985	93.3	0.84	71.7	68.1	65.7	358.7	2	2.1	7.1	383
YE3-280S-6	45	60	985	93.7	0.85	85.8	81.6	78.6	436.3	2	2	7.3	501
YE3-280M-6	55	75	985	94.1	0.86	103.3	98.1	94.6	533.2	2	2	7.3	573
YE3-315S-6	75	100	985	94.6	0.84	143.4	136.2	131.3	727.2	2	2	6.6	843
YE3-315M-6	90	125	988	94.9	0.85	169.5	161.0	155.2	869.9	2	2	6.7	941
YE3-315L1-6	110	150	988	95.1	0.85	206.8	196.4	189.3	1063	2	2	6.7	1017
YE3-315L2-6	132	180	988	95.4	0.86	244.5	232.2	223.8	1276	2	2	6.8	1121
YE3-355M1-6	160	200	990	95.6	0.86	295.7	280.9	270.7	1543	1.8	2	6.8	1715
YE3-355M2-6	200	270	990	95.8	0.87	364.6	346.4	333.8	1929	1.8	2	6.8	1846
YE3-355L-6	250	340	990	95.8	0.87	455.7	433.0	417.3	2412	1.8	2	6.8	2085

• 技术参数 (Parameters)

型号 Model	额定功率 Rated Power		额定 功率 Rated Speed	效率 Efficiency 100%	功率 Power Factor	额定电流 Rated Current(A)			额定转矩 Rated Torque (NM)	堵转转矩 / 额定转矩 Ts/Tn	最大转矩 / 额定转矩 Tmax/Tn	堵转电流 / 额定电流 Is/In	重量 Weight kg
	kW	HP				380V	400V	415V					
YE3-801-8	0.18	0.25	650	51.0	0.61	0.9	0.8	0.8	2.64	1.8	1.9	3.3	14.5
YE3-802-8	0.25	0.37	650	54.0	0.61	1.2	1.1	1.1	3.67	1.8	1.9	3.3	16.7
YE3-90S-8	0.37	0.5	675	62.0	0.61	1.5	1.4	1.4	5.23	1.8	1.9	4	28.2
YE3-90L-8	0.55	0.75	675	63.0	0.61	2.2	2.1	2.0	7.78	1.8	2	4	29.7
YE3-100L1-8	0.75	1	685	68.7	0.67	2.5	2.4	2.3	10.5	1.8	2	4	40
YE3-100L2-8	1.1	1.5	685	70.7	0.67	3.5	3.4	3.2	15.3	1.8	2	5	41.4
YE3-112M-8	1.5	2	695	72.8	0.71	4.4	4.2	4.0	20.6	1.8	2	5	57.5
YE3-132S-8	2.2	3	710	77.9	0.71	6.0	5.7	5.5	29.6	1.8	2	6	74.8
YE3-132M-8	3	4	710	78.9	0.73	7.9	7.5	7.2	40.4	1.8	2	6	89.1
YE3-160M1-8	4	5.5	725	79.9	0.73	10.4	9.9	9.5	52.7	1.9	2	6	101
YE3-160M2-8	5.5	7.5	725	82.0	0.74	13.8	13.1	12.6	72.4	1.9	2	6	126.5
YE3-160L-8	7.5	10	725	84.0	0.75	18.1	17.2	16.6	98.8	1.9	2	6	136
YE3-180L-8	11	15	735	86.4	0.75	25.8	24.5	23.6	142.9	2	2	6.5	198
YE3-200L-8	15	20	730	86.9	0.76	34.5	32.8	31.6	196.2	2	2	6.6	234
YE3-225S-8	18.5	25	730	89.1	0.76	41.5	39.4	38.0	242	1.9	2	6.6	284
YE3-225M-8	22	30	730	89.6	0.78	47.8	45.4	43.8	287.8	1.9	2	6.6	325
YE3-250M-8	30	40	735	90.4	0.79	63.8	60.6	58.4	389.8	1.9	2	6.5	425
YE3-280S-8	37	50	735	90.9	0.79	78.3	74.4	71.7	480.7	1.9	2	6.6	518
YE3-280M-8	45	60	735	91.4	0.79	94.7	90.0	86.7	584.7	1.9	2	6.6	582
YE3-315S-8	55	75	735	92.3	0.80	113.2	107.5	103.6	714.6	1.8	2	6.6	852
YE3-315M-8	75	100	735	93.2	0.80	152.8	145.2	139.9	974.5	1.8	2	6.2	952
YE3-315L1-8	90	125	735	93.5	0.80	182.8	173.7	167.4	1169	1.8	2	6.4	1040
YE3-315L2-8	110	150	735	93.5	0.82	218.0	207.1	199.6	1429	1.8	2	6.4	1056
YE3-355M1-8	132	180	740	93.8	0.82	260.8	247.7	238.8	1704	1.8	2	6.4	1784
YE3-355M2-8	160	200	740	94.0	0.82	315.4	299.6	288.8	2065	1.8	2	6.4	1941
YE3-355L-8	200	270	740	94.2	0.83	388.7	369.2	355.9	2581	1.8	2	6.4	2026

• 外形安装尺寸图数据 (B3)

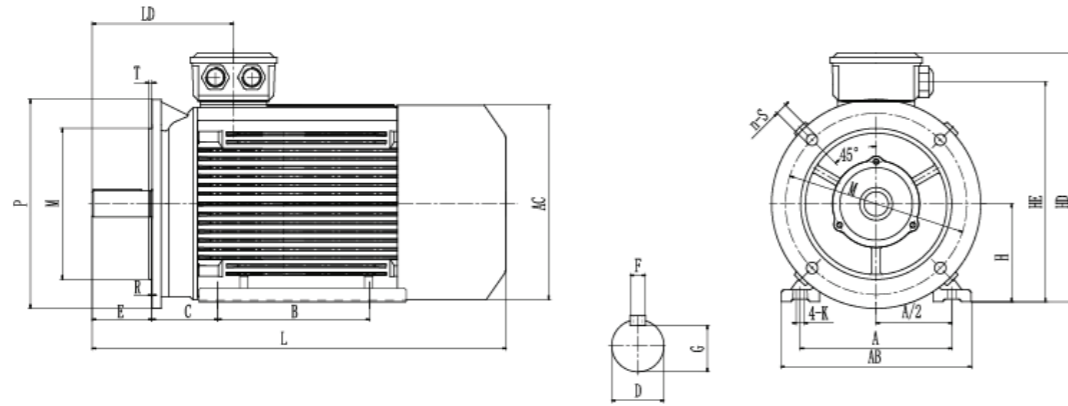
Figure data of external mounting dimensions(B3)



机座号 Frame	极数 Pole	安装尺寸 Mounting Dimensions										外形尺寸 Mounting Dimensions					
		A	A/2	B	C	D	E	F	G	H	K	AB	AC	LD	L	HE	HD
63M	2,4	100	50	80	40	11	23	4	8.5	63	7	135	130	90	230	153	180
71M	2,4,6	112	56	90	45	14	30	5	11	71	7	150	145	100	255	168	195
80M	2,4	125	62.5	100	50	19	40	6	15.5	80	10	165	155	112	284	185	217
90S		140	70	125	56	24	50	20	90	176		175	125	313	209	245	
90L																	
100L	2,4	160	80	140	63	28	60	8	24	100	12	200	195	139	380	233	269
112M	2,4	190	95	140	70					112		226	219	142.5	394	263.5	304
132S	2	216	108	178	89	38	80	10	33	132		262	258	175	510	303	344
132M																	
160M	2,4	254	127	210	108	42	110	12	37	160	14.5	314	315	256.5	610	373	420
160L		279	139.5	254	121	48	110	14	42.5	180		349	355	272	654	410	457
180M																	
180L																	
200L		318	159	305	133	55		16	49	200		388	397	297	771	450	508
225S	4			286		60	140	18	53		18.5			328	809		
225M	2,4	356	178	311	149	55	110	16	49	225		431	445	298	804	497	556
250M	2,4	406	203	349	168	60			53					328	834		
280S	2,4					65	140		58								
280M	2,4	457	228.5	368	190	75		20	67.5	280	24	542	547	356	970	610	675
315S	2,4					65	140	18	58								
315M	2,4	508	254	406	216	80	170	22	71	315	28	628	620	397	1198	755.5	848
315L	2,4					65	140	18	58								
355M	2,4					75	140	20	67.5								
355L	2,4	610	305	560	254	95	170	25	86	355	28	726	698	424	1511	901	997
						75	140	20	67.5								
						95	170	25	86								

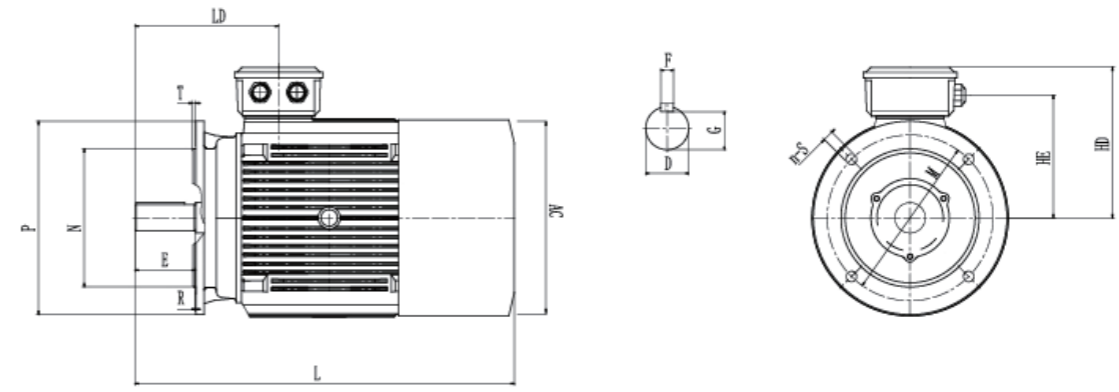
• **外形安装尺寸图数据(B35)**

Figure data of external mounting dimensions(B35)



• **外形安装尺寸图数据(B5)**

Figure data of external mounting dimensions(B5)



机座号 Frame	极数 Pole	安装尺寸 Mounting Dimensions																	外形尺寸 Mounting Dimensions														
		A	A/2	B	C	D	E	F	G	H	K	M	N	P	R	S	T	凸缘孔数	AB	AC	LD	L	HE	HD									
63M	2,4	100	50	80	40	11	23	4	8.5	63	7	115	95	140	10	3		135	130	90	230	153	180										
71M	2,4,6	112	56	90	45	14	30	5	11	71	7	130	110	160	10	3.5		150	145	100	255	168	195										
80M	2,4	125	62.5	100	50	19	40	6	15.5	80	10	165	130	200	12	3.5		160	155	112	284	185	217										
90S					56	24	50	20	90	313								209	245														
90L					125					383																							
100L	2,4	160	80	140	63	28	60	8	24	100	12	215	180	250	14.5	4	4	200	195	139	380	233	269										
112M	2,4	190	95		70																									434.5	263.5	304	
132S	2,4	216	108	178	89	38	80	10	33	132	14.5	265	230	300				262	258	175	462.5	303	344										
132M					108	42	12	37	160	314								315	256.5	610	373	420											
160M					121	48	14	42.5	180	349								355	272	687	410	457											
160L					254	127	254	110	16	49								200	350	300	400	0	18.5	5									
180M					279	139.5	241																										
180L					318	159	305	133	55	16								49	200										328	809	497	556	
200L					4	356	178	286	60	140								18	53										328	804	497	556	
225S					2	406	203	349	168	60								140	18	53	250	24	500	450	500								
225M					4																												
250M					2,4	457	228.5	368	190	65								140	18	58	280	24	500	450	500								
280S	4	419	65	20	67.5						280	542	547	356	970	610	675																
280M	2,4	508	254	457	216	65	140	18	58	315	28	600	550	660																			
315S	2																						406	65	18	58	397	1198	755.5	848			
315M	4	508	254	457	216	65	140	18	58	315	28	600	550	660																			
315L	2																						406	65	140	18	58	397	1308	848			
355M	2	610	305	560	254	75	140	20	67.5	355	28	740	680	800																			
355M	4																						560	75	170	25	86	424	1511	901	901		
355M	2																						560	75	140	20	67.5	454	1541	901	901		
355L	4																						630	75	140	20	67.5	424	1511	901	901		

机座号 Frame	极数 Pole	安装尺寸 Mounting Dimensions											外形尺寸 Mounting Dimensions																				
		D	E	F	G	M	N	P	R	n-S	T	AC	LD	L	HD	HE																	
63M	2,4	11	23	4	8.5	115	95	140		10	3	130	90	230	180	156																	
71M	2,4,6	14	30	5	11	130	110	160		10	3.5	145	100	255	195	168																	
80M	2,4	19	40	6	15.5	165	130	200				155	112	284	137	105																	
90S																	4-12	3.5	175	125	313	155	119										
90L																	24	50	20			383											
100L	2,4	28	60	8	24	215	180	250				195	139	380	169	133																	
112M	4-14.5																4	219	142.5	394	192	151.5											
132S	2,4	38	80	10	33	265	230	300				258	175	462.5	212	171																	
132M																																	
160M																																	
160L																	42		12	37													
180M																	48	110	14	42.5	300	250	350										
180L																	55		16	49	350	300	400										
200L																	4	60	140	16	53												
225S																	2	55	110		49	400	350	450									
225M																	4	60			53												
250M																	2	60		18													
280S	4	65	140		58																												
280M	2,4	75	140	20	67.5	500	450	550																									
315S	4																	547	356	970	610	675											
315M	2	65			18																												
315L	4	75			58																												
355M	2	65	140	18	58	600	550	660																									
355M/L	4	80	170	22	71																												
355L	2	75	140	20	67.5																												
	4	95	170	25	86	740	680	800																									



高效率三相异步电动机

High Efficiency Three Phase Asynchronous Motor

YE4系列高效率三相异步电动机,是一种全封闭、自扇冷、鼠笼式、高效率三相异步电动机。本系列电机效率符合GB18613-2020《中小型三相异步电动机能效限定值及能效等级》中的2级能效(IE4)。

本系列电动机的功率等级、安装尺寸符合国际电工委员会(IEC)标准的规定,有利于出口机械设备的配套安装和引进设备的备品备件,可以与Y系列电动机、Y2系列电动机、和YE2、YE3系列电动机互换。具有性能优良,使用安全可靠,振动、噪声比同类产品低的特点,符合环保要求。

YE4 series high efficiency three-phase asynchronous motor is a completely enclosed, self-fan-cooled, squirrel-cage type, high efficiency three-phase asynchronous motor. The motor efficiency of this series meets the Level 2 energy efficiency (IE4) in GB18613-2020 "Energy Efficiency Limits and Energy efficiency Grades for Small and medium-sized three-phase asynchronous Motors".

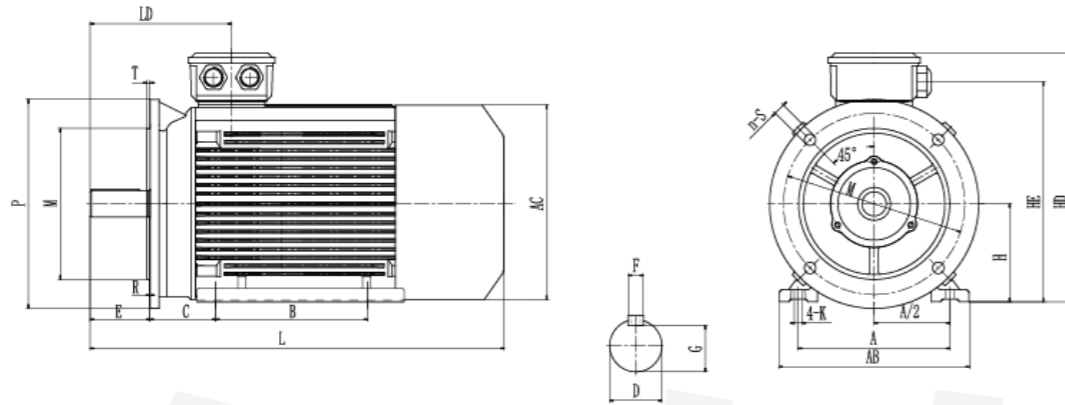
The power level and installation size of this series of motors meet the requirements of the International Electrotechnical Commission (IEC) standard, which is conducive to the installation of export machinery and equipment and spare parts of imported equipment, and can be interchanged with Y series motors, Y2 series motors, and YE2 and YE3 series motors. It has the characteristics of excellent performance, safe and reliable use, lower vibration and noise than similar products, and meets the requirements of environmental protection.

• 技术参数 (Parameters)

型号 Model	电流 (A)	功率 Power		转速 (rpm)	效率 (%)	功率因数 (cosp)	堵转转矩 / 额定转矩 Tsn/In	堵转电流 / 额定电流 Isn/In	最大转矩 / 额定转矩 Tmax/Tn	重量 Weight kg
		kW	HP							
YE4-631-2	0.5	0.18	0.24	2740	70.8	0.8	2.3	7.0	2.2	4.0
YE4-632-2	0.6	0.25	0.34	2740	74.3	0.81	2.3	7.0	2.2	4.5
YE4-711-2	0.9	0.37	0.5	2765	78.1	0.81	2.3	7.0	2.2	6.5
YE4-712-2	1.3	0.55	0.75	2765	81.5	0.82	2.3	7.0	2.2	7.5
YE4-80M1-2	1.6	0.75	1	2900	83.5	0.83	2.2	8.5	2.3	22
YE4-80M2-2	2.4	1.1	1.5	2900	85.2	0.83	2.2	8.5	2.3	25
YE4-90S-2	3.1	1.5	2	2910	86.5	0.85	2.2	9.0	2.3	31
YE4-90L-2	4.4	2.2	3	2910	88.0	0.86	2.2	9.0	2.3	36
YE4-100L-2	5.9	3	4	2920	89.1	0.87	2.2	9.5	2.3	45
YE4-112M-2	7.7	4	5.5	2920	90.0	0.88	2.2	9.5	2.3	60
YE4-132S1-2	10.4	5.5	7.5	2940	90.9	0.88	2	9.5	2.3	78
YE4-132S2-2	14.0	7.5	10	2940	91.7	0.89	2	9.5	2.3	85
YE4-160M1-2	20.3	11	15	2950	92.6	0.89	2	9.5	2.3	150
YE4-160M2-2	27.4	15	20	2950	93.3	0.89	2	9.5	2.3	165
YE4-160L-2	33.7	18.5	25	2950	93.7	0.89	2	9.5	2.3	173
YE4-180M-2	40.0	22	30	2960	94	0.89	2	9.5	2.3	210
YE4-200L1-2	54.2	30	40	2970	94.5	0.89	2	9.0	2.3	290
YE4-200L2-2	66.6	37	50	2970	94.8	0.89	2	9.0	2.3	310
YE4-225M-2	80.9	45	60	2970	95	0.89	2	9.0	2.3	370
YE4-250M-2	98.5	55	75	2980	95.3	0.89	2	9.0	2.3	510
YE4-280S-2	133.9	75	100	2980	95.6	0.89	1.8	8.5	2.3	620
YE4-280M-2	160.4	90	120	2980	95.8	0.89	1.8	8.5	2.3	680
YE4-315S-2	195.6	110	150	2980	96	0.89	1.8	8.5	2.3	1120
YE4-315M-2	234.2	132	180	2980	96.2	0.89	1.8	8.5	2.3	1130
YE4-315L1-2	283.6	160	215	2980	96.3	0.89	1.8	8.5	2.2	1210
YE4-315L2-2	353.8	200	270	2980	96.5	0.89	1.8	8.5	2.2	1310
YE4-335M-2	432.5	250	335	2980	96.5	0.91	1.6	8.5	2.2	1860
YE4-355L-2	545.0	315	425	2980	96.5	0.91	1.6	8.5	2.2	2150
YE4-631-4	0.4	0.12	0.16	1335	69.8	0.72	2.1	6.6	2.2	4.0
YE4-632-4	0.5	0.18	0.24	1335	74.7	0.73	2.1	6.6	2.2	4.5
YE4-711-4	0.7	0.25	0.34	1335	77.9	0.74	2.1	6.6	2.2	6.5
YE4-712-4	0.9	0.37	0.5	1335	81.1	0.75	2.1	6.6	2.2	7.5
YE4-801-4	1.3	0.55	0.75	1400	83.9	0.75	2.1	6.6	2.2	7.5
YE4-80M2-4	1.8	0.75	1	1440	85.7	0.74	2.3	8.5	2.2	25
YE4-90S-4	2.6	1.1	1.5	1445	87.2	0.75	2.3	8.5	2.2	33
YE4-90L-4	3.4	1.5	2	1445	88.2	0.76	2.3	9.0	2.2	38
YE4-100L1-4	4.7	2.2	3	1460	89.5	0.79	2.3	9.0	2.3	44
YE4-100L2-4	6.3	3	4	1460	90.4	0.8	2.3	9.5	2.3	50
YE4-112M-4	8.3	4	5.5	1460	91.1	0.8	2.3	9.5	2.3	65
YE4-132S-4	11.4	5.5	7.5	1470	91.9	0.8	2.0	9.5	2.3	80
YE4-132M-4	15.2	7.5	10	1470	92.6	0.81	2.0	9.5	2.3	92
YE4-160M-4	21.6	11	15	1475	93.3	0.83	2.0	9.5	2.3	160
YE4-160L-4	28.9	15	20	1475	93.9	0.84	2.0	9.5	2.3	180
YE4-180M-4	35.1	18.5	25	1480	94.2	0.85	2.0	9.5	2.3	205

• 外形安装尺寸图数据(B35)

Figure data of external mounting dimensions(B35)



机座号 Frame	极数 Pole	安装尺寸 Mounting Dimensions																外形尺寸 Mounting Dimensions				
		A	A/2	B	C	D	E	F	G	H	K	M	N	P	R	S	T	凸缘孔数	AB	AC	L	HD
63M	2,4	100	50	80	40	11	23	4	8.5	63	7	115	95	140	10	3			135	130	230	180
71M	2,4,6	112	56	90	45	14	30	5	11	71	7	130	110	160	10	3.5			150	145	255	195
80M		125	62.5	100	50	19	40	6	15.5	80									165	175	305	220
90S	2,4	140	70	125	56	24	50		20	90	10	165	130	200	12	3.5			180	205	395	265
90L																					425	
100L	2,4	160	80		63			8		100									205	215	435	270
				140	28	60		24				215	180	250					230	255	475	310
112M	2,4	190	95		70					112	12				14.5	4			270	310	535	365
																					550	
132S		216	108		89	38	80	10	33	132		265	230	300					320	340	730	425
132M				178																	760	
160M		254	127	210	108	42		12	37	160									355	390	805	460
160L	2,4			254			110				14.5	300	250	350							835	
180M		279	139.5	241	121	48		14	42.5	180									395	445	890	520
180L				279																	865	
200L		318	159	305	133	55		16	49	200		350	300	400	0				435	495	865	575
225S	4			286	60	140	18	53													895	
225M	2,4	356	178	311	149	55	110	16	49	225	18.5	400	350	450		18.5	5		490	550	995	635
					60																	
250M	2,4	406	203	349	168			18		250											1030	
					65	140		58														
280S	2,4			368	190	75		20	67.5	280	24	500	450	550					550	630		705
280M	2,4	457	228.5	419		65		18	58												1080	
						75		20	67.5													
315S	2,4			406		65	18	58													1180	
						80	170	22	71												1290	
315M	2,4	508	254	457	216	65	140	18	58	315	28	600	550	660					635	645	1210	845
						80	170	22	71												1320	
315L	2,4			508		65	140	18	58						24	6					1210	
						80	170	22	71												1320	
355M	2,4			560		75	140	20	67.5												1500	
						95	170	25	86	355	28	740	680	800							1530	1010
355L	2,4	610	305	630		75	140	20	67.5										730	710	1500	
						95	170	25	86												1530	

MS 系列 Series



铝壳三相异步电动机

Aluminium Three Phase Asynchronous Motor

MS系列铝壳三相异步电动机和YE3铁壳三相异步电动机在电机的电气性能上没有差别,只是采用了铝合金压铸机座、端盖、接线盒,其安装尺寸与功率等级和Y2系列电机保持一致。与铁壳电机相比,铝壳电机具有美观不易生锈、质量轻、散热好、延展性高等优点。因为铝壳电机机械强度不如铁壳电机,它主要运用于小功率电机。

MS series aluminum three-phase asynchronous motor and YE3 iron shell three-phase asynchronous motor have no difference in the electrical performance of the motor, just aluminum motor use aluminum alloy die-casting frame, end cover, junction box, and its installation size and power level is consistent with Y2 series motor. Compared with the iron motor, the aluminum motor has the advantages of beautiful appearance, not easy to rust, light weight, good heat dissipation and high ductility. Because the mechanical strength of the aluminum motor is not as good as that of the iron motor, it is mainly used in low-power motors.

YVF2 系列 Series

• 技术参数 (Parameters)

型号 Model	额定功率 KW HP		电流 IN (A)			转速 (rpm)	效率 (%)	功率因数 (cosp)	额定转矩 Tn N.m	堵转转矩	最大转矩	堵转电流	惯量 10 ⁻³ kgm ²	重量 Weight kg
	380V	400V	415V	额定转矩 Tsn/In	额定转矩 Tmax/Tn					额定电流 Isn/In				
MS-63M1-2	0.18	0.25	0.53	0.50	0.49	2720	65.9	0.8	0.63	2.2	2.2	5.5	0.00031	--
MS-63M2-2	0.25	0.35	0.69	0.66	0.63	2720	69.7	0.81	0.88	2.2	2.2	5.5	0.00060	--
MS-71M1-2	0.37	0.5	0.99	0.94	0.91	2740	73.8	0.81	1.29	2.2	2.2	6.1	0.00075	--
MS-63M2-2	0.55	0.75	1.40	1.33	1.28	2740	77.8	0.82	1.92	2.2	2.3	6.1	0.00090	--
MS-80M1-2	0.75	1.0	1.77	1.68	1.62	2830	80.7	0.83	2.53	2.2	2.3	6.1	0.00120	15
MS-80M2-2	1.1	1.5	2.50	2.38	2.29	2830	82.7	0.84	3.71	2.2	2.3	7.0	0.00140	16.5
MS-90S-2	1.5	2.0	3.34	3.17	3.06	2840	84.2	0.84	5.04	2.2	2.3	7.0	0.00290	20
MS-90L-2	2.2	3.0	4.73	4.49	4.33	2840	85.9	0.85	7.40	2.2	2.3	7.0	0.00550	24
MS-100L-2	3.0	4.0	6.19	5.88	5.67	2870	87.1	0.87	9.98	2.2	2.3	7.5	0.01090	31
MS-112M-2	4.0	5.5	8.05	7.65	7.37	2890	88.1	0.88	13.22	2.2	2.3	7.5	0.01260	38
MS-132S1-2	5.5	7.5	10.9	10.4	10.0	2900	89.2	0.88	18.11	2.2	2.3	7.5	0.03770	58
MS-132S2-2	7.5	10	14.7	14.0	13.5	2900	90.1	0.88	24.70	2.2	2.3	7.5	0.04990	62
MS-132M-2	9	12	17.6	16.6	16.0	2930	90.6	0.88	29.6	2.2	2.3	7.5	0.0510	--
MS-160M1-2	11	15	21	20.0	19.2	2930	91.2	0.89	35.85	2.2	2.3	7.5	0.05500	103
MS-160M2-2	15	20	28.4	27.0	26.0	2930	91.9	0.89	48.89	2.2	2.3	7.5	0.07500	112
MS-160L-4	18.5	25	34.4	32.7	31.5	1310	92.4	0.90	60.30	2.2	2.3	7.5	0.12400	135
MS-63M1-4	0.12	0.18	0.44	0.42	0.40	1310	64.8	0.72	0.87	2.1	2.3	4.4	0.00050	--
MS-63M2-4	0.18	0.25	0.62	0.59	0.57	1330	69.9	0.73	1.31	2.1	2.2	4.4	0.00060	--
MS-71M1-4	0.25	0.35	0.79	0.75	0.72	1330	73.5	0.74	1.80	2.1	2.2	5.2	0.00080	--
MS-63M2-4	0.37	0.5	1.12	1.06	1.03	1390	77.3	0.75	2.66	2.1	2.2	5.5	0.00130	--
MS-80M1-4	0.55	0.75	1.57	1.49	1.44	1390	80.8	0.75	3.78	2.4	2.2	5.2	0.00180	14.5
MS-80M2-4	0.75	1	1.88	1.79	1.72	1400	82.5	0.76	5.15	2.3	2.3	6.0	0.00210	15
MS-90S-4	1.1	1.5	2.67	2.54	2.44	1400	84.1	0.77	7.5	2.3	2.3	6.0	0.00230	19
MS-90L-4	1.5	2	3.48	3.31	3.19	1430	85.3	0.79	10.23	2.3	2.3	6.0	0.00270	23
MS-100L1-4	2.2	3	4.9	4.65	4.49	1430	86.7	0.81	14.69	2.3	2.3	7.0	0.00540	30
MS-100L2-4	3	4	6.5	6.18	5.95	140	87.7	0.82	20.03	2.3	2.3	7.0	0.00670	33
MS-112M-4	4	5.5	8.56	8.13	7.84	1440	88.6	0.82	26.53	2.3	2.3	7.0	0.00950	43
MS-132S-4	5.5	7.5	11.5	10.9	10.5	1440	89.6	0.83	36.48	2.3	2.3	7.0	0.02140	60
MS-132M-4	7.5	10	15.3	14.5	14.0	1440	90.4	0.84	49.74	2.3	2.3	7.0	0.02960	69
MS-132M1-4	9	12	18.3	17.4	16.8	1460	91.0	0.84	59.69	2.3	2.3	7.0	0.03806	--
MS-160M1-4	11	15	22.2	21.1	20.3	1460	91.4	0.84	71.95	2.3	2.3	7.0	0.07470	--
MS-160L-4	15	20	29.6	28.1	27.1	1460	92.1	0.85	98.12	2.2	2.3	7.5	0.09180	130
MS-63M1-6	0.09	0.12	0.52	0.49	0.48	840	48.0	0.60	1.02	2.2	2.3	3.5	0.00025	--
MS-63M2-6	0.12	0.18	0.63	0.60	0.58	840	57.7	0.60	1.36	1.8	1.9	3.5	0.00040	--
MS-71M1-6	0.18	0.25	0.74	0.70	0.68	850	63.9	0.66	2.02	1.8	2.0	4.0	0.00110	--
MS-71M2-6	0.25	0.37	0.95	0.90	0.87	850	68.6	0.68	2.81	1.9	2.0	4.0	0.00140	--
MS-80M1-6	0.37	0.5	1.3	1.24	1.19	890	73.5	0.70	3.97	1.9	2.0	4.7	0.00160	15.5
MS-80M2-6	0.55	0.75	1.79	1.70	1.64	890	77.2	0.72	5.90	1.9	2.1	4.7	0.00190	16.5
MS-90S-6	0.75	1	2.09	1.99	1.91	910	78.9	0.72	7.87	1.9	2.1	5.5	0.00290	20
MS-90L-6	1.1	1.5	2.93	2.78	2.68	910	81.0	0.73	11.54	2.0	2.1	5.5	0.00350	24
MS-100L-6	1.5	2	3.81	3.62	3.49	940	82.5	0.75	15.24	2.0	2.1	5.5	0.00690	29
MS-112M-6	2.2	3	5.38	5.11	4.93	940	84.3	0.76	22.35	2.0	2.1	6.5	0.01400	37
MS-132S-6	3	4	7.2	6.84	6.59	960	85.6	0.76	29.84	2.1	2.1	6.5	0.02860	53
MS-132M1-6	4	5.5	9.45	8.98	8.65	960	86.8	0.76	39.79	2.1	2.1	6.5	0.03570	64
MS-132M2-6	5.5	7.5	12.6	12.0	11.50	960	88.0	0.77	54.71	2.1	2.1	6.5	0.04490	72
MS-160M-6	7.5	10	17	16.2	15.60	970	89.1	0.77	73.84	2.0	2.1	6.5	0.08100	97
MS-160L-6	11	15	24.2	23.0	22.20	970	90.3	0.78	108.30	2.0	2.1	6.5	0.11600	126



变频调速三相异步电动机
 Variable Frequency and Variable Speed Motor

YVF2系列变频调速电机经过计算机辅助优化设计,更适合PWM变频电源供电驱动。为解决低频电机温升问题,电机采用外风机强迫式风冷,风机单独接电源运转。

电动机与电子变频器联合使用,可实现转速150~2750rpm范围内的无级调速,是那些有大范围无级调速需求的机械设备的理想动力。广泛应用于交通运输、冶金、纺织、印染、化工、矿山、风机、水泵等行业,有着广泛的节能效果。

Through computer aided optimization design, YVF2 series frequency conversion motor is more suitable for PWM variable frequency power supply drive. In order to solve the problem of temperature rise of low-frequency motor, the motor adopts forced air cooling by external fan, and the fan is connected to the power supply separately.

The motor is used in combination with the electronic frequency converter to achieve speed regulation without restriction of poles in the speed range of 150~2750rpm, which is the ideal choice for those mechanical equipment with a large range of speed regulation needs. It can be widely used in transportation, metallurgy, textile, printing and dyeing, chemical industry, mining, fan, pump and other industries, and has a wide range of energy-saving effects.

• 技术参数 (Parameters)

型号 Model	电流 (A)	功率 Power		额定转矩 (N.m)	堵转转矩 / 额定转矩 Tsn/In	堵转电流 / 额定电流 Isn/In	最大转矩 / 额定转矩 Tmax/Tn	重量 Weight kg
		kW	HP					
YVF2-80M1-2	1.9	0.75	1	2.4	2.2	9	2.8	29
YVF2-80M2-2	2.4	1.1	1.5	3.5	2.2	9	2.8	30
YVF2-90S-2	3.5	1.5	2	4.8	2.2	9	2.8	41.5
YVF2-90L-2	4.9	2.2	3	7	2.2	9	2.8	44.3
YVF2-100L1-2	6.4	3	4	9.5	2.2	9	2.8	51.3
YVF2-112M-2	8.3	4	5.5	12.7	2.2	9	2.8	59
YVF2-132S1-2	11.2	5.5	7.5	17.5	2.2	9	2.8	95
YVF2-132S2-2	14.9	7.5	10	23.9	2.2	9	2.8	96
YVF2-160M1-2	21.4	11	15	35	2.2	9	2.8	131
YVF2-160M2-2	28.9	15	20	47.7	2.2	9	2.8	140
YVF2-160L-2	35.4	18.5	25	58.9	2.2	9	2.8	155
YVF2-180M-2	41.8	22	30	70	2.2	9	2.8	224
YVF2-200L1-2	56.5	30	40	95.5	2.2	9	2.8	290
YVF2-200L2-2	69.3	37	50	117.8	2.2	9	2.8	300
YVF2-225M-2	83.9	45	60	143.2	2.2	9	2.8	365
YVF2-250M-2	101.9	55	75	175.1	2.2	9	2.8	477
YVF2-280S-2	138.1	75	100	238.7	1.7	9	2.8	505
YVF2-280M-2	165.2	90	120	286.5	1.7	9	2.8	545
YVF2-315S-2	199	110	150	350.1	1.7	9	2.8	1001
YVF2-315M-2	238.3	132	180	420.2	1.7	9	2.8	1094
YVF2-315L1-2	274.8	160	215	509.3	1.7	9	2.8	1141
YVF2-315L2-2	355.2	200	270	636.6	1.7	9	2.8	1219
YVF2-80M2-4	2.1	0.75	1	4.8	2	9	2.8	30
YVF2-90S-4	2.9	1.1	1.5	7	2	9	2.8	41.3
YVF2-90L-4	3.8	1.5	2	9.5	2	9	2.8	44.4
YVF2-100L1-4	5.2	2.2	3	14	2	9	2.8	50.1
YVF2-100L2-4	6.9	3	4	19.1	2	9	2.8	53.8
YVF2-112M-4	9	4	5.5	25.5	2	9	2.8	66
YVF2-132S-4	12	5.5	7.5	35	2	9	2.8	94
YVF2-132M-4	16	7.5	10	47.7	2	9	2.8	104
YVF2-160M-4	23	11	15	70	2	9	2.8	138
YVF2-160L-4	30.6	15	20	95.5	2	9	2.8	150
YVF2-180M-4	37	18.5	25	117.8	2	9	2.8	222
YVF2-180L-4	43.7	22	30	140.1	2	9	2.8	233
YVF2-200L-4	59.1	30	40	191	2	9	2.8	298
YVF2-225S-4	71.7	37	50	235.5	2	9	2.8	350
YVF2-225M-4	86.7	45	60	286.5	2	9	2.8	375
YVF2-250M-4	105.5	55	75	350.1	2	9	2.8	494
YVF2-280S-4	141.3	75	100	477.5	1.7	9	2.8	550
YVF2-280M-4	167.1	90	120	573	1.7	9	2.8	615
YVF2-315S-4	201.3	110	150	700.3	1.7	9	2.8	1018
YVF2-315M-4	241	132	180	840.3	1.7	9	2.8	1192
YVF2-315L1-4	288	160	215	1018.6	1.7	9	2.8	1192
YVF2-315L2-4	359.2	200	270	1273.2	1.7	9	2.8	1281

YEJ 系列 Series



电磁制动三相异步电动机

Electromagnetic Brake Three Phase Asynchronous Motor

YEJ系列制动电机是全封闭且具有附加圆盘型直流制动器的三相异步电动机。它具有制动迅速、结构简单、可靠性高、通用性强等优点。此外，制动器具有人工释放结构，被广泛运用于各种需要调速且快速停止，准确定位、往复启动、频繁启动、防止滑行的各种机械设备中做主传动和辅助传动之用。如在启动运输机械中用于提升和行走机械的拖动，各类金属切削机床、印刷机、锻压机、水泥搅拌机、木工机械、造纸机械、橡胶塑料机械和纺织机械等的拖动。

YEJ Series brake motors are fully enclosed three-phase asynchronous motors with additional disc-type DC brakes. It has the advantages of rapid braking, simple structure, high reliability and strong versatility. In addition, the brake has a manual release structure, which is widely used in a variety of mechanical equipment that needs speed regulation and rapid stop, accurate positioning, reciprocating start, frequent start, and prevent sliding. For example, in the start of transport machinery for lifting and walking machinery drag, all kinds of metal cutting machine tools, printing presses, forging presses, cement mixers, woodworking machinery, paper machinery, rubber and plastic machinery and textile machinery drag.

• 技术参数 (Parameters)

型号 Model	额定功率 Rated Power		额定 转速 Rated Speed	效率 Efficiency 100%	功率 因素 Power Factor	额定 电流 Rated Current	额定 转矩 Rated Torque (NM)	堵转 转矩 / 额定 转矩 Ts/Tn	最大 转矩 / 额定 转矩 Tmax/Tn	堵转 电流 / 额定 电流 Is/In	静值 动力矩 Full Braking Moment	空载时间 不大于 Max Braking Time at to Load(S)	制动器 功率 Brake Power (W)	噪音 Noise LWDB (A)	重量 Weight kg
	kW	HP													
YEJ-711-2	0.37	0.5	2740	69.5	0.81	1	1.3	2.3	2.3	6	4	0.15	30	61	9
YEJ-712-2	0.55	0.75	2740	74.1	0.82	1.4	1.9	2.3	2.3	6	4	0.15	30	61	9.5
YEJ-801-2	0.75	1	2875	77.4	0.83	1.8	2.49	2.3	2.3	6.8	7.5	0.2	45	67	12.7
YEJ-802-2	1.1	1.5	2875	79.6	0.83	2.5	3.65	2.3	2.3	7.1	7.5	0.2	45	71	13.5
YEJ-90S-2	1.5	2	2890	81.3	0.84	3.3	4.96	2.3	2.3	7.3	15	0.2	50	75	16.3
YEJ-90L-2	2.2	3	2890	83.2	0.85	4.7	7.27	2.3	2.3	7.6	15	0.2	50	75	18
YEJ-100L-2	3	4	2891	84.6	0.87	6.2	9.91	2.2	2.3	7.8	30	0.2	65	79	27
YEJ-112M-2	4	5.5	2914	85.8	0.88	8	13.1	2.2	2.3	8.1	40	0.25	70	79	37
YEJ-132S1-2	5.5	7.5	2937	87	0.86	11.2	17.9	2.2	2.3	8.2	75	0.25	95	83	49.1
YEJ-132S2-2	7.5	10	2940	88.1	0.88	14.7	24.4	2.2	2.3	7.8	75	0.25	95	83	54.5
YEJ-160M1-2	11	15	2930	89.4	0.89	21	35.9	2.2	2.3	7.9	150	0.35	110	87	84.2
YEJ-160M2-2	15	20	2930	90.3	0.89	28.4	48.9	2.2	2.3	7.9	150	0.35	110	87	93
YEJ-160L-2	18.5	25	2937	90.9	0.89	34.7	60.2	2.2	2.3	8	150	0.35	110	87	103.5
YEJ-180M-2	22	30	2940	91.3	0.88	41.6	71.5	2.2	2.3	8.1	200	0.35	150	92	207
YEJ-200L1-2	30	40	2950	92	0.88	56.3	97.1	2	2.3	7.5	300	0.45	200	92	253
YEJ-200L2-2	37	50	2950	92.5	0.89	68.3	119.8	2	2.3	7.5	300	0.45	200	95	265
YEJ-225M-2	45	60	2960	92.9	0.89	82.7	145.2	2.2	2.3	7.5	450	0.45	200	97	372
YEJ-250M-2	55	75	2965	93.2	0.9	99.6	177.2	2.2	2.3	7.6	600	0.5	210	99	472
YEJ-710-4	0.18	0.25	1330	64	0.66	0.65	1.3	2.4	2.4	6	4	0.15	30	53	7.5
YEJ-711-4	0.25	0.37	1330	67	0.68	0.83	1.8	2.4	2.4	6	4	0.15	30	53	9

• 技术参数 (Parameters)

型号 Model	额定功率 Rated Power		额定 转速 Rated Speed	效率 Efficiency 100%	功率 因素 Power Factor	额定 电流 Rated Current	额定 转矩 Rated Torque (NM)	堵转 转矩 / 额定 转矩 Ts/Tn	最大 转矩 / 额定 转矩 Tmax/Tn	堵转 电流 / 额定 电流 Is/In	静值 动力矩 Full Braking Moment	空载时间 不大于 Max Braking Time at to Load(S)	制动器 功率 Brake Power (W)	噪音 Noise LWDB (A)	重量 Weight kg
	kW	HP													
YEJ-712-4	0.37	0.5	1330	69.5	0.72	1.12	2.66	2.4	2.4	6	4	0.15	30	53	9.5
YEJ-713-4	0.55	0.75	1390	73.5	0.73	1.56	3.78	2.4	2.4	6	4	0.15	30	55	10
YEJ-714-4	0.75	1	1390	75.5	0.75	2.01	5.15	2.3	2.4	6	4	0.15	30	55	11
YEJ-801-4	0.55	0.75	1400	77.1	0.75	1.45	3.75	2.3	2.3	5.2	7.5	0.2	45	61	13.4
YEJ-802-4	0.75	1	1400	79.6	0.76	1.88	5.12	2.4	2.5	5	7.5	0.2	45	61	14.8
YEJ-90S-4	1.1	1.5	1440	81.4	0.77	2.67	7.3	2.4	2.5	6	15	0.2	50	67	16.5
YEJ-90L-4	1.5	2	1445	82.8	0.77	3.57	9.91	2.7	3	6.8	15	0.2	50	67	18.3
YEJ-100L1-4	2.2	3	1440	84.3	0.81	4.9	14.6	2.7	3	7	30	0.2	65	70	26.8
YEJ-100L2-4	3	4	1440	85.5	0.82	6.5	19.9	2.6	2.8	7	30	0.2	65	70	29.5
YEJ-112M-4	4	5.5	1445	86.6	0.82	8.56	26.4	2.6	2.8	7.5	40	0.25	70	74	37.5
YEJ-132S-4	5.5	7.5	1455	87.7	0.83	11.5	36.1	2.2	2.8	6.4	75	0.25	95	78	51.5
YEJ-132M-4	7.5	10	1455	88.7	0.84	15.3	49.2	2.2	2.8	7	75	0.25	95	78	57.5
YEJ-160M-4	11	15	1460	89.8	0.84	22.2	75	2.1	2.8	6.9	150	0.35	110	82	87.5
YEJ-160L-4	15	20	1460	90.6	0.85	29.6	98.1	2.1	2.8	7.5	150	0.35	110	82	100.6
YEJ-180M-4	18.5	25	1470	91.2	0.86	35.8	120.2	2.1	2.8	7.8	200	0.35	150	82	168
YEJ-180L-4	22	30	1470	91.6	0.86	42.4	142.9	2.1	2.8	7.5	200	0.35	150	82	188
YEJ-200L-4	30	40	1470	92.3	0.86	57.4	194.9	2	2.5	7.1	300	0.45	200	84	267
YEJ-225S-4	37	50	1480	92.7	0.87	69.7	238.8	2	2.5	7.5	450	0.45	200	84	322
YEJ-225M-4	45	60	1480	93.1	0.87	84.4	290.4	2	2.5	7.6	450	0.45	200	84	341
YEJ-250M-4	55	75	1480	93.5	0.87	102.7	354.9	1.8	2.2	7.3	600	0.5	210	87	443

• 技术参数 (Parameters)

型号 Model	额定功率 Rated Power		额定 转速 Rated Speed	效率 Efficiency 100%	功率 因素 Power Factor	额定 电流 Rated Current	额定 转矩 Rated Torque (NM)	堵转 转矩 / 额定 转矩 Ts/Tn	最大 转矩 / 额定 转矩 Tmax/Tn	堵转 电流 / 额定 电流 Is/In	静值 动力矩 Full Braking Moment	空载时间 不大于 Max Braking Time at to Load(S)	制动器 功率 Brake Power (W)	噪音 Noise LWDB (A)	重量 Weight kg
	kW	HP													
YEJ-711-6	0.18	0.25	850	59	0.61	0.76	2.02	2	2	5.5	4	0.15	30	53	8.5
YEJ-712-6	0.25	0.37	850	63	0.62	0.97	2.81	2	2	5.5	4	0.15	30	53	9
YEJ-801-6	0.37	0.5	885	67.6	0.7	1.2	4	1.9	2	4.7	7.5	0.2	45	55	12.9
YEJ-802-6	0.55	0.75	885	73.1	0.72	1.6	5.9	1.9	2.1	4.7	7.5	0.2	45	55	14.4
YEJ-90S-6	0.75	1	934	75.9	0.72	2.1	7.7	2	2.1	5.8	15	0.2	50	61	16.6
YEJ-90L-6	1.1	1.5	945	78.1	0.72	3	11.1	2	2.1	5.9	15	0.2	50	65	18.2
YEJ-100L-6	1.5	2	945	79.8	0.75	3.8	15.2	2	2.1	5.9	30	0.2	65	67	29
YEJ-112M-6	2.2	3	960	81.8	0.76	5.4	21.9	2	2.1	6.2	40	0.25	70	67	36.2
YEJ-132S-6	3	4	964	83.3	0.76	7.2	29.74	2	2.1	6.4	75	0.25	95	71	50.2
YEJ-132M1-6	4	5.5	965	84.6	0.76	9.5	39.6	2	2.1	6.6	75	0.25	95	71	53
YEJ-132M2-6	5.5	7.5	965	86	0.77	12.6	54.4	2	2.1	6.8	75	0.25	95	71	57.2
YEJ-160M-6	7.5	10	970	87.2	0.78	16.8	73.8	2	2.1	6.8	150	0.35	110	75	85.6
YEJ-160L-6	11	15	970	88.7	0.78	24.2	108.3	2	2.1	6.9	150	0.35	110	75	90
YEJ-180L-6	15	20	975	89.7	0.81	31.4	146.9	2	2.1	7.3	200	0.35	150	78	180
YEJ-200L1-6	18.5	25	980	90.4	0.81	38.4	180.3	2	2.1	7.2	300	0.45	200	78	243
YEJ-200L2-6	22	30	980	90.9	0.83	44.3	214.4	2	2.1	7.3	300	0.45	200	78	257
YEJ-225M-6	30	40	980	91.7	0.84	59.2	292.3	2	2.1	6.8	450	0.45	200	81	330
YEJ-250M-6	37	50	980	92.2	0.86	70.9	360.6	2	2.1	7	600	0.5	210	84	429
YEJ-711-8	0.09	0.12	600	49	0.52	0.54	1.43	1.8	1.9	4.5	4	0.15	30	51	9.5
YEJ-712-8	0.12	0.18	600	52	0.52	0.67	1.91	1.8	1.9	4.5	4	0.15	30	51	10

• 技术参数 (Parameters)

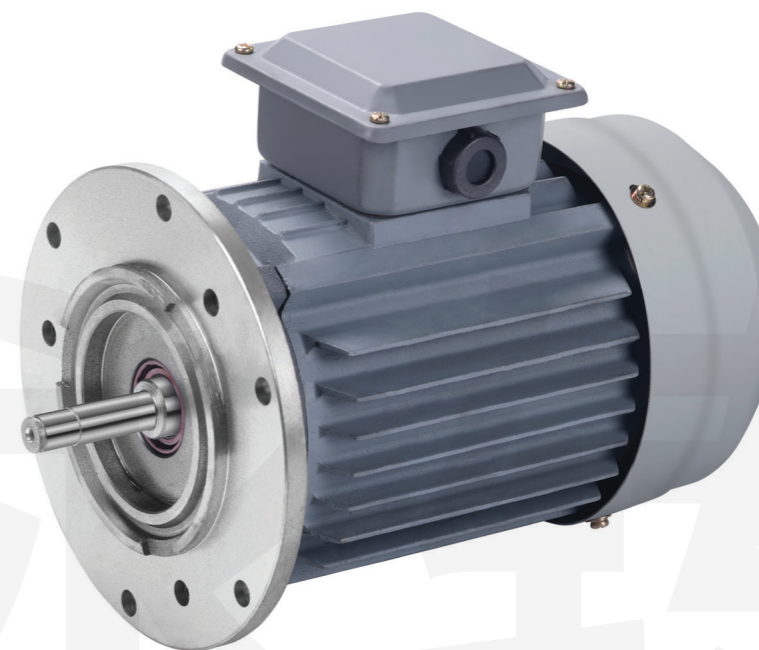
型号 Model	额定功率 Rated Power		额定 转速 Rated Speed	效率 Efficiency 100%	功率 因素 Power Factor	额定 电流 Rated Current	额定 转矩 Rated Torque (NM)	堵转 转矩 / 额定 转矩 Ts/Tn	最大 转矩 / 额定 转矩 Tmax/Tn	堵转 电流 / 额定 电流 Is/In	静值 动力矩 Full Braking Moment	空载时间 不大于 Max Braking Time at to Load(S)	制动器 功率 Brake Power (W)	噪音 Noise LWDB (A)	重量 Weight kg
	kW	HP													
YEJ-801-8	0.18	0.25	650	45.9	0.61	0.98	2.64	1.8	1.9	3.3	7.5	0.2	45	52	11.5
YEJ-802-8	0.25	0.37	650	50.6	0.61	1.23	3.67	1.8	1.9	3.3	7.5	0.2	45	52	12
YEJ-90S-8	0.37	0.5	675	56.1	0.61	1.64	5.23	1.8	1.9	4	15	0.2	50	56	16
YEJ-90L-8	0.55	0.75	675	61.7	0.61	2.22	7.78	1.8	2	4	15	0.2	50	56	19
YEJ-100L1-8	0.75	1	685	66.2	0.67	2.57	10.5	1.8	2	4	30	0.2	65	59	29
YEJ-100L2-8	1.1	1.5	685	70.8	0.67	3.52	15.3	1.8	2	5	30	0.2	65	59	31.1
YEJ-112M-8	1.5	2	695	74.1	0.7	4.39	20.6	1.8	2	5	40	0.25	70	61	38.2
YEJ-132S-8	2.2	3	710	77.6	0.71	6.07	29.6	1.8	2	6	75	0.25	95	66	50.3
YEJ-132M-8	3	4	710	80	0.73	7.81	40.4	1.8	2	6	75	0.25	95	66	55
YEJ-160M1-8	4	5.5	725	81.9	0.73	10.2	52.7	1.9	2	6	150	0.35	110	69	83.5
YEJ-160M2-8	5.5	7.5	725	83.8	0.71	13.5	72.4	1.9	2	6	150	0.35	110	69	91
YEJ-160L-8	7.5	10	725	85.3	0.75	17.8	98.8	1.9	2	6	150	0.35	110	72	100.2
YEJ-180L-8	11	15	735	86.9	0.75	25.6	142.9	2	2	6.5	200	0.35	150	72	208
YEJ-200L-8	15	20	730	88	0.76	34.1	196.2	2	2	6.6	300	0.45	200	75	258
YEJ-225S-8	18.5	25	730	88.6	0.76	41.7	242	1.9	2	6.6	450	0.45	200	75	683
YEJ-225M-8	22	30	730	89.1	0.79	47.5	287.8	1.9	2	6.6	450	0.45	200	75	351
YEJ-250M-8	30	40	735	89.8	0.79	64.3	289.8	1.9	2	6.5	600	0.5	210	78	465



变频制动三相异步电动机
Variable Frequency and Variable Speed Brake Motor

YPEJ系列变频制动三相异步电动机是YEJ制动电机的派生产品,安装尺寸与YEJ尺寸完全相同,该电机通过对变频器控制可达到无极调速的目的,可以与国内外各类的SPWM变频装置配套。

YPEJ series variable frequency brake three-phase asynchronous motor is a derivative of YEJ brake motor, the installation size is exactly the same as YEJ size, the motor can achieve the purpose of stepless speed regulation through the control of the inverter, and can be matched with all kinds of SPWM frequency conversion devices at home and abroad.

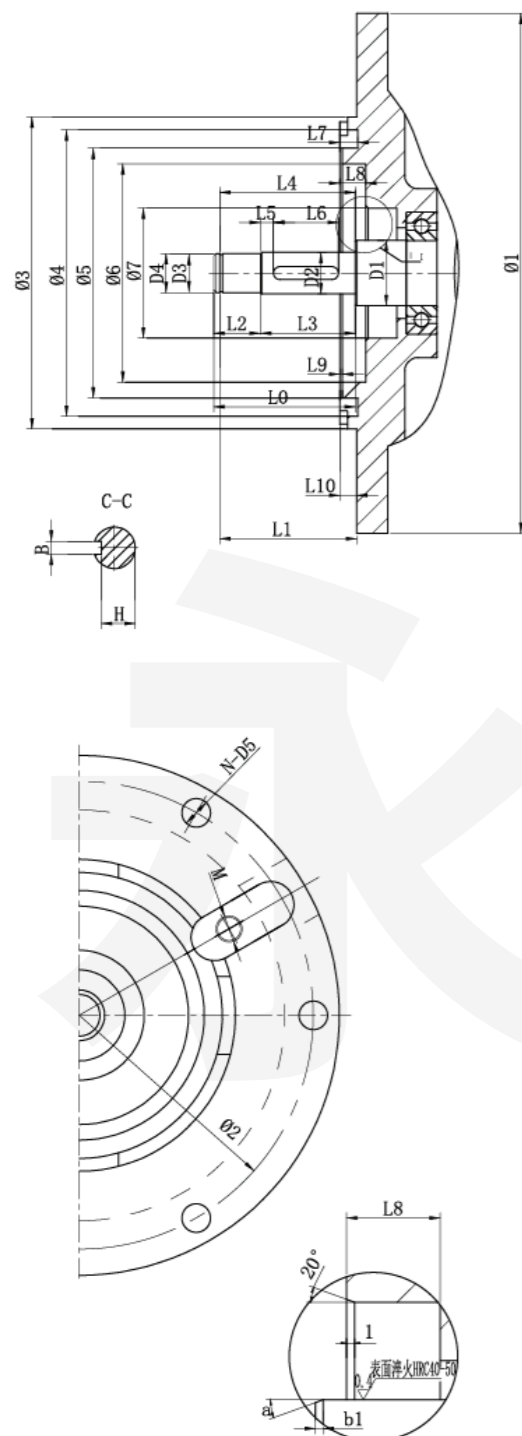


摆线减速机专用三相异步电动机
Three Phase Asynchronous Motor Special for Cycloid Reducer

摆线减速机电机是与摆线针轮减速机配套使用的,我们可以根据减速机客户需求定制不同尺寸的连接法兰与输出轴。它具有体积小、运转平稳、噪声低、故障少、寿命长等特点。可广泛应用于石油、环保、化工、水泥、输送、纺织、制药、食品、印刷、起重、矿山、冶金、建筑、发电等行业作为驱动和配套减速装置。

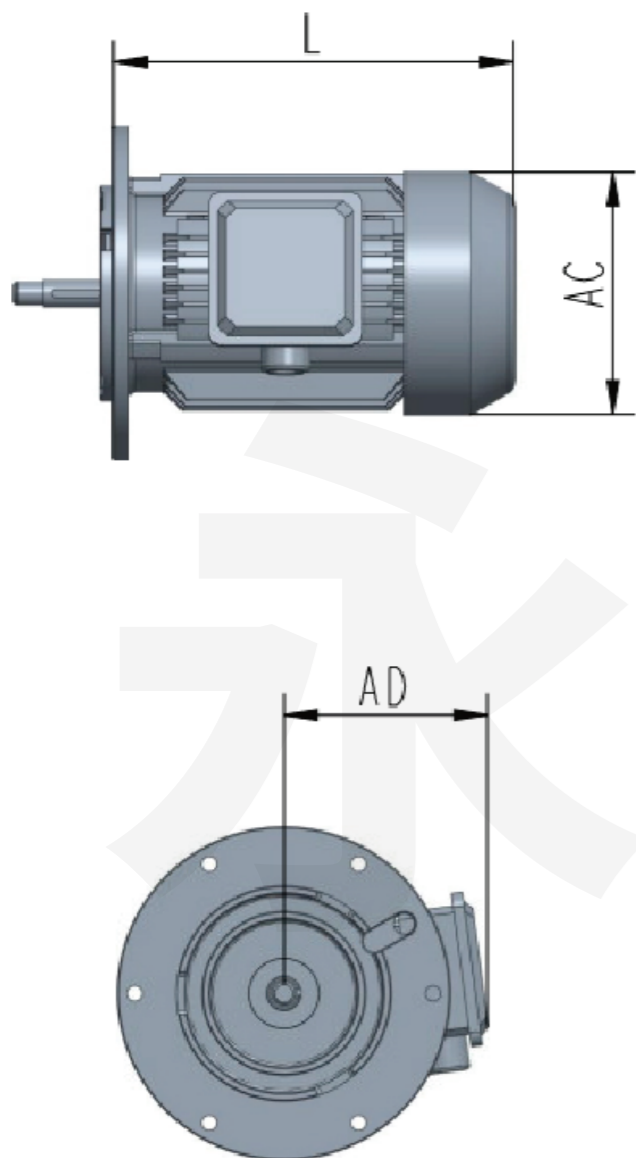
Cycloid reducer motor is used with cycloidal pin wheel reducer, we can customize different sizes of connection flanges and output shafts according to the needs of reducer customers. It has the characteristics of small size, smooth operation, low noise, less failure, long life and so on. It can be widely used in petroleum, environmental protection, chemical industry, cement, transportation, textile, pharmaceutical, food, printing, lifting, mining, metallurgy, construction, power generation and other industries as a driving and supporting deceleration device.

• 技术参数 (Parameters)



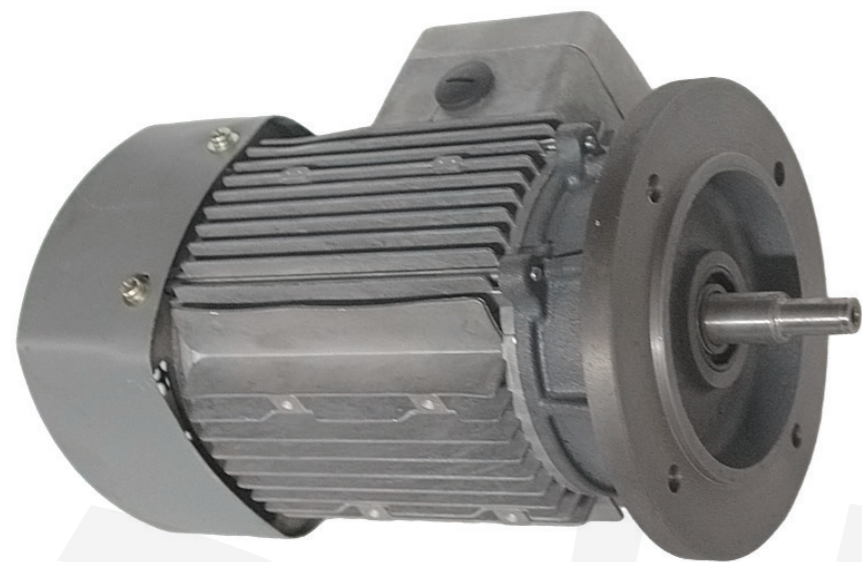
机座号 Stand No.	法兰Flange											轴伸Shaft extension											导向 Guide		油封外径 Oil seal disiameter	排气孔 Vent (M)			
	Φ1	Φ2	Φ3	Φ4	Φ5	Φ6	L7	L8	L9	L10	N-D5	D1	D2	D3	D4	H	B	L1	L2	L3	L4	L5	L6	L0			Φ7		
63	B09	140	125	85	/	/	54	/	11	/	7.2	6-Φ7	15	12	11.5	12	9.5	4	48.6	/	/	51.1	18	25	53.5	0.5	20°	Φ35	/
71	B0	168	150	105	95	78	70	7	9	1	6.5	6-Φ9	15	12	11.5	12	9.5	4	48.6	/	/	51.1	18	25	53.5	0.5	20°	Φ35	/
	B1	200	180	120	110	96	84	7	10	1	6.5	6-Φ11	20	16	14.3	15	13	5	52.6	18	36.5	52.1	5	25	/	0.5	20°	Φ40	M16X1.5
80	B0	168	150	105	95	78	70	7	9	1	6.5	6-Φ9	20	12	11.5	12	9.5	4	48.6	/	/	51.1	18	25	53.5	0.5	20°	Φ40	/
	B1	200	180	120	110	96	84	7	10	1	6.5	6-Φ11	20	16	14.3	15	13	5	52.6	18	36.5	52.1	5	25	/	0.5	20°	Φ40	M16X1.5
	B2	240	215	155	143	118	106	8	11	2.5	9	6-Φ11	25	20	16.2	17	16.5	6	68.6	22	49	68.1	6	35	/	1.0	20°	Φ50	M16X1.5
90	B0	168	150	105	95	78	70	7	9	1	6.5	6-M8	20	12	11.5	12	9.5	4	48.6	/	/	51.1	18	25	53.5	0.5	20°	Φ40	/
	B1	200	180	120	110	96	84	7	10	1	6.5	6-Φ11	20	16	14.3	15	13	5	52.6	18	36.5	52.1	5	25	/	0.5	20°	Φ40	M16X1.5
	B2	240	215	155	143	118	106	8	11	2.5	9	6-Φ11	25	20	16.2	17	16.5	6	68.6	22	49	68.1	6	35	/	1.0	20°	Φ50	M16X1.5
100	B3	300	270	190	175	150	135	10	16	2.5	12	6-Φ11	30	25	23.9	25	21.0	8	84.3	/	/	84.3	32	40	88	1.0	20°	Φ50	M16X1.5
	B1	200	180	120	110	96	84	7	10	1	6.5	6-M10	25	16	14.3	15	13	5	52.6	18	36.5	52.1	5	25	/	0.5	20°	Φ50	M10X1.0
	B2	240	215	155	143	118	106	8	11	2.5	9	6-Φ11	30	20	16.2	17	16.5	6	68.6	22	49	68.1	6	35	/	1.0	20°	Φ50	M16X1.5
	B3	300	270	190	175	150	135	10	16	2.5	12	6-Φ11	30	25	23.9	25	21.0	8	84.3	/	/	84.3	32	40	88	1.0	20°	Φ50	M16X1.5
112	B4	340	315	230	210	185	165	10	18	2.2	12	12-Φ13	40	35	28.6	30	30.0	10	99.3	29	77	102.3	13	50	/	1.0	20°	Φ65	M22X1.5
	B2	240	215	155	143	118	106	8	11	2.5	9	6-Φ11	30	20	16.2	17	16.5	6	68.6	22	49	68.1	6	35	/	1.0	20°	Φ50	M10X1.0
	B3	300	270	190	175	150	135	10	16	2.5	12	6-Φ11	30	25	23.9	25	21.0	8	84.3	/	/	84.3	32	40	88	1.0	20°	Φ50	M16X1.5
132	B4	340	315	230	210	185	165	10	18	2.2	12	12-Φ13	40	35	28.6	30	30.0	10	99.3	29	77	102.3	13	50	/	1.0	20°	Φ65	M22X1.5
	B3	300	270	190	175	150	135	10	16	2.5	12	6-Φ11	30	25	23.9	25	21.0	8	84.3	/	/	84.3	32	40	88	1.0	20°	Φ50	M22X1.5
	B5	400	370	290	270	230	210	10	16	2	14	12-Φ13	50	45	33	35	39.5	14	106.7	32	83	110.7	15	55	/	1.0	20°	Φ72	M22X1.5
160	B4	340	315	230	210	185	165	10	18	2.2	12	12-Φ13	40	35	28.6	30	30.0	10	99.3	29	77	102.3	13	50	/	1.0	20°	Φ65	M22X1.5
	B5	400	370	290	270	230	210	10	16	2	14	12-Φ13	50	45	33	35	39.5	14	106.7	32	83	110.7	15	55	/	1.0	20°	Φ72	M22X1.5
180	B5	400	370	290	270	230	210	10	16	2	14	12-Φ13	50	45	33	35	39.5	14	106.7	32	83	110.7	15	55	/	1.0	20°	Φ72	M22X1.5

• 63-160摆线电机外形尺寸 (71-180 Outlione dimensions of cycloidal motor)



机座号 Stand No.	长轴YE2电机 Long shaft YE2 motor			长轴YE3电机 Long shaft YE3 motor			长轴变频电机 Long shaft variable frequency motor			长轴制动电机 Long shaft brake motor			长轴变频制动电机 Long shaft variable frequency brake motor		
	AC	AD	L	AC	AD	L	AC	AD	L	AC	AD	L	AC	AD	L
63-B09	120	100	210	/	/	/	/	/	/	/	/	/	/	/	/
71-B09	140	110	224	140	110	224	140	110	299	140	120	289	140	120	355
71M-0#	140	110	224	140	110	224	140	110	294	140	120	289	140	120	355
71M-#	140	110	225	140	110	225	140	110	300	140	120	290	140	120	350
80M-0#-0.55kW	160	145	259	160	145	259	160	145	329	160	145	314	160	145	375
80M-0#-0.75kW	160	145	259	180	165	275	160	145	329	160	145	314	160	145	375
80M-1#-0.55kW	160	145	260	160	145	260	160	145	335	160	145	315	160	145	375
80M-1#-0.75kW	160	145	260	180	165	280	160	145	335	160	145	315	160	145	375
80M-2#-0.55kW	160	145	259	160	145	259	160	145	335	160	145	315	160	145	375
80M-2#-0.75kW	160	145	259	180	165	289	160	145	335	160	145	315	160	145	375
90S-0#	180	165	280	180	165	305	180	165	341	180	165	345	180	165	422
90S-1#	180	165	280	180	165	305	180	165	341	180	165	345	180	165	422
90S-2#	180	165	290	180	165	315	180	165	351	180	165	355	180	165	432
90S-3#	180	165	280	180	165	305	180	165	341	180	165	345	180	165	422
90L-0#	180	165	305	/	/	/	180	165	366	180	165	370	180	165	447
90L-1#	180	165	305	205	175	325	180	165	366	180	165	370	180	165	447
90L-2#	180	165	315	205	175	325	180	165	376	180	165	380	180	165	457
90L-3#	180	165	305	205	175	330	180	165	366	180	165	370	180	165	447
100L1-1#	205	175	325	205	175	325	205	175	390	205	175	385	205	175	470
100L1-2#	205	175	325	205	175	325	205	175	390	205	175	385	205	175	470
100L1-3#	205	175	330	205	175	330	205	175	395	205	175	390	205	175	475
100L1-4#	205	175	335	205	175	335	205	175	400	205	175	395	205	175	480
100L2-1#	205	175	325	/	/	/	205	175	390	205	175	385	205	175	470
100L2-2#	205	175	325	225	190	360	205	175	390	205	175	385	205	175	470
100L2-3#	205	175	330	225	190	365	205	175	395	205	175	390	205	175	475
100L2-4#	205	175	335	225	190	370	205	175	400	205	175	395	205	175	480
112M-2#	225	190	360	225	190	420	225	190	415	225	190	435	225	190	490
112M-3#	225	190	365	225	190	425	225	190	420	225	190	435	225	190	495
112M-4#	225	190	370	225	190	430	225	190	425	225	190	440	225	190	500
132S-3#	265	220	390	265	220	430	265	220	455	265	220	467	265	220	547
132S-4#	265	220	390	265	220	430	265	220	455	265	220	467	265	220	547
132S-5#	265	220	390	265	220	430	265	220	455	265	220	467	265	220	547
132M-3#	265	220	430	265	220	468	265	220	495	265	220	507	265	220	587
132M-4#	265	220	430	265	220	468	265	220	495	265	220	507	265	220	587
132M-5#	265	220	430	265	220	468	265	220	495	265	220	507	265	220	587
160M-4#	330	260	540	330	260	510	330	260	584	330	260	591	330	260	740
160M-5#	330	260	480	330	260	480	330	260	554	330	260	561	330	260	710
160L-4#	330	260	555	330	260	555	330	260	629	330	260	636	330	260	785
160L-5#	330	260	525	330	260	525	330	260	599	330	260	606	330	260	755

• 技术参数 (Parameters)



齿轮减速机专用三相异步电动机
 Three Phase Asynchronous Motor Special for Gear Reducer

齿轮减速机专用电机在机座号132及以下电动机采用方形铝机壳,外形美观,结构紧凑,电机采用轴伸端双重锁定的设计原理。电机互换性强,同一机座号,电机法兰可以任意互换,电机接线盒可四个方向任意旋转,极大满足了客户的个性化要求。具有安全,可靠,寿命长等特性。

The special motor for gear reducer adopts square aluminum housing in the frame 132 and below, which is beautiful in appearance and compact in structure. The motor adopts the design principle of double locking of shaft extension end. The motor has strong interchangeability, the same frame number, the motor flange can be exchanged arbitrarily, and the motor junction box can be rotated arbitrarily in four directions, which greatly meets the personalized requirements of customers. It has the characteristics of safety, reliability and long life.

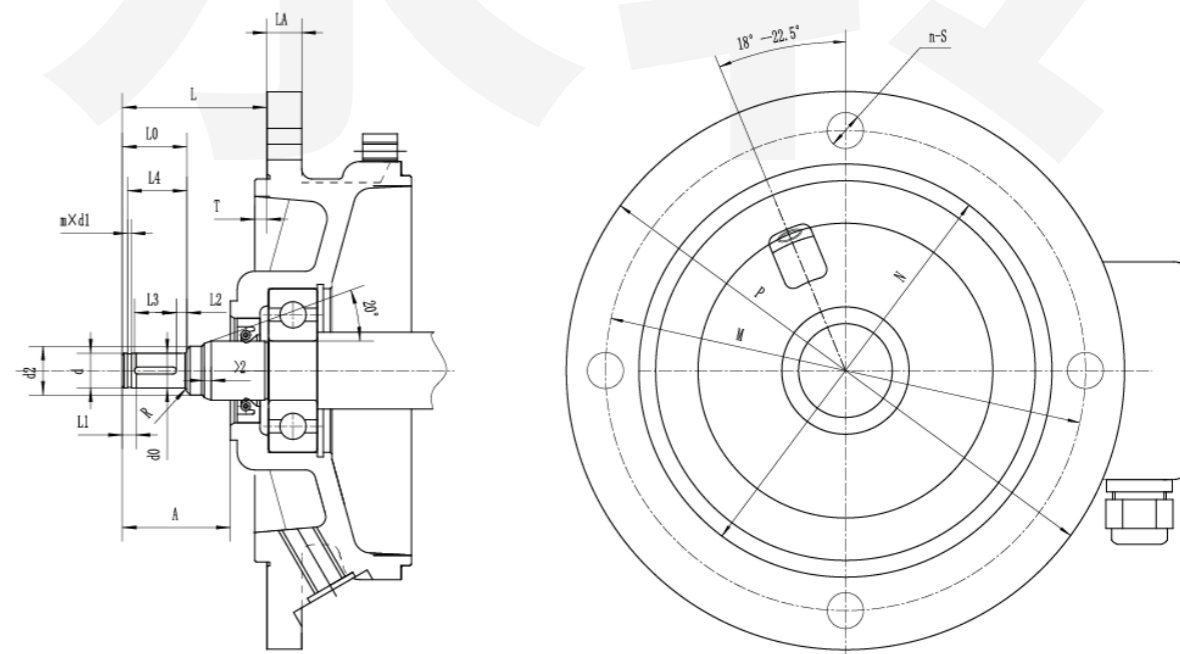
型号 Model	额定功率 Rated Power		额定转速 Rated Speed	效率 Efficiency 100%	功率因素 Power Factor	额定电流 Rated Current(A)			额定转矩 Rated Torque (NM)	堵转转矩 / 额定转矩 Ts/Tn	最大转矩 / 额定转矩 Tmax/Tn	堵转电流 / 额定电流 Is/In	重量 Weight kg
	kW	HP				380V	400V	415V					
YE3-631-4	0.12	0.18	1310	60	0.63	0.51	0.48	0.46	0.87	2.4	2.4	6	4.2
YE3-632-4	0.18	0.25	1310	64	0.66	0.66	0.62	0.6	1.31	2.4	2.4	6	4.5
YE3-711-4	0.25	0.37	1330	67	0.68	0.83	0.79	0.76	1.8	2.4	2.44	6	6
YE3-712-4	0.37	0.5	1330	69.5	0.72	1.14	1.08	1.04	2.66	2.4	2.4	6	7
YE3-801-4	0.55	0.75	1390	77.1	0.75	1.4	1.37	1.32	3.75	2.3	2.3	5.2	14
YE3-802-4	0.75	1	1390	79.6	0.76	1.9	1.79	1.72	5.12	2.4	2.5	5	15
YE3-90S-4	1.1	1.5	1400	81.4	0.77	2.7	2.53	2.44	7.3	2.4	2.	6	19
YE3-90L-4	1.5	2	1400	82.8	0.78	3.5	3.35	3.23	9.91	2.7	3	6.8	22
YE3-100L1-4	2.2	3	1430	84.3	0.80	5.0	4.71	4.54	14.6	2.7	3	7	30
YE3-100L2-4	3	4	1430	85.5	0.81	6.6	6.25	6.03	19.9	2.6	2.8	7	33
YE3-112M-4	4	5.5	1440	86.6	0.81	8.7	8.23	7.93	26.4	2.6	2.8	7.5	41
YE3-132S-4	5.5	7.5	1440	87.7	0.82	11.6	11.04	10.64	36.1	2.2	2.8	6.4	56
YE3-132M-4	7.5	10	1440	88.7	0.83	15.5	14.70	14.17	49.2	2.2	2.8	7	67
YE3-160M-4	11	15	1460	89.8	0.83	22.4	21.30	20.53	72	2.1	2.8	6.9	101
YE3-160L-4	15	20	1460	90.6	0.84	29.9	28.45	27.42	98.1	2.1	2.8	7.5	132
YE3-180M-4	18.5	25	1470	91.2	0.85	36.3	34.45	33.20	120.2	2.1	2.8	7.8	140
YE3-180L-4	22	30	1470	91.6	0.85	42.9	40.78	39.31	142.9	2.1	2.8	7.5	160
YE3-200L-4	30	40	1470	92.3	0.85	58.1	55.19	53.20	194.9	2	2.5	7.1	222
YE3-225S-4	37	50	1480	92.7	0.86	70.5	66.99	64.57	238.8	2	2.5	7.5	272
YE3-225M-4	45	60	1480	93.1	0.86	85.4	81.13	78.19	290.4	2	2.5	7.6	296
YE3-250M-4	55	75	1480	93.5	0.86	103.9	98.73	95.16	354.9	1.8	2.2	7.3	372
YE3-280S-4	75	100	1480	94.0	0.87	139.3	132.38	127.59	484	1.8	2.2	7.6	546
YE3-280M-4	90	125	1480	94.2	0.88	165.0	156.71	151.05	580.7	1.8	2.2	7.5	638

• 接口尺寸数据 (Interface dimension data)

机座号 Stand No.	功率 Power kW	法兰Flange							轴伸Shaft extension			导向Guide		油封 Oil seal
		P	M	N	T	LA	S	n	L	L0	D0	D	L1	
63	0.18	120	100	80	3	8	6.6	4	36	18.5	20	10	4	17X30X7
71	0.25	160	130	110	3.5	10	9	4	41.5					
	0.37	200	160	130	3.5	12	11	4	47.5	20.5	12	12	4.5	17X30X7
80M	0.55	120	100	80	3	8	6.6	4	36					
		160	130	110	3.5	10	9	4	41.5					
		200	160	130	3.5	12	11	4	41.5					
		250	215	180	4	15	14	4	52.5					
	0.75	300	265	230	4	16	14	4	62	22.5	14	14	6.5	17X47X7
90S 90L	1.1	120	100	80	3	8	6.6	4	36					
		160	130	110	3.5	10	9	4	41.5					
		200	160	130	3.5	12	11	4	49.5					
		250	215	180	4	15	14	4	53.5					
	1.5	300	265	230	4	16	14	4	62	26	16	16	6	17X47X7
100L	2.2	120	100	80	3	8	6.6	4	36					
		160	130	110	3.5	10	9	4	44					
		200	160	130	3.5	12	11	4	52					
		250	215	180	4	15	14	4	56					
		300	265	230	4	16	14	4	62					
		350	300	250	5	18	18	4	68					
112M	4	160	130	110	3.5	10	9	4	44	29	18	18	6	35X52X7
		200	160	130	3.5	12	11	4	53					
		250	215	180	4	15	14	4	58					
		300	265	230	4	16	14	4	63					
		350	300	250	5	18	18	4	69					
13S 132M	5.5	160	130	110	3.5	10	9	4	44	36	22	22	8.5	40X62X7
		200	160	130	3.5	12	11	4	56					
		250	215	180	4	15	14	4	61					
		300	265	230	4	16	14	4	66					
		350	300	250	5	18	18	4	72					
		400	350	300	5	20	18	8	79					
		450	400	350	5	22	18	8	87					
160M 160L	11	200	160	130	3.5	12	11	4	61	41	28	28	11	55X90X10
		250	215	180	4	15	14	4	66					
		300	265	230	4	16	14	4	71					
		350	300	250	5	18	18	4	77					

• 接口尺寸数据 (Interface dimension data)

机座号 Stand No.	功率 Power kW	法兰Flange							轴伸Shaft extension			导向Guide		油封 Oil seal
		P	M	N	T	LA	S	n	L	L0	D0	D	L1	
160M 160L	11	400	350	300	5	20	18	8	84	41	28	28	11	55X90X10
	15	450	400	350	5	22	18	8	92					
180M 180L	18.5	250	215	180	4	15	14	4	66	41	32	32	11	55X90X10
		300	265	230	4	16	14	4	71					
		350	300	250	5	18	18	4	77					
	22	400	350	300	5	20	18	8	84					
		450	400	350	5	22	18	8	92					
		550	500	450	5	25	18	8	100					
200L 225S 225M	30	300	365	230	4	16	14	4	71	41	38	38	11	70X90X12
		350	300	250	5	18	18	4	77					
	47	400	350	300	5	20	18	8	84					
		450	400	350	5	22	18	8	92					
		550	500	450	5	25	18	8	100					
250M 280S 280M	55	400	350	300	5	20	18	8	86	46	48	48	12	70X90X12 80X100X10
		450	400	350	5	22	18	8	94					
	75	450	400	350	5	22	18	8	94					
		90	550	500	450	5	25	18	8					



• 外形安装尺寸图数据 (Contour installation dimension drawing data)

中心高 Center for high	法兰外径 Flange Diameter	L1	L2	L3	L4	D	H1	H1
63	120	221	266	279	328	123	/	98
	160	215.5	260.5	273.5	322.5			
	200	209.5	254.5	267.5	316.5			
71	120	239	297	297	344	140	114	104
	160	233.5	291.5	291.5	338.5			
	200	227.5	285.5	285.5	332.5			
80	120	270.5	317.5	314.5	377.5	150	119	124
	160	265	312	309	372			
	200	259	306	303	366			
	250	254	301	298	361			
90	120	318	391	358	425	171	139.5	126
	160	312.5	385.5	352.5	419.5			
	200	304.5	377.5	344.5	411.5			
	250	300.5	373.5	340.5	407.5			
	300	292	365	332	399			
100	120	367.5	437.5	395.5	467.5	195	152	134
	160	359.5	429.5	387.5	455.5			
	200	351.5	421.5	379.5	447.5			
	250	547.5	417.5	375.5	444.5			
	300	341.5	411.5	369.5	438.5			
	350	375.5	405.5	363.5	432.5			
112	160	368	431	396	476	216	169	162
	200	359	422	387	467			
	250	354	417	382	462			
	300	349	412	377	457			
	350	343	406	371	451			
132M	200	413	512	456	548	258	189.5	175
	250	408	507	451	543			
	300	403	502	446	538			
	350	397	496	440	532			
	400	390	489	437	525			
	450	382	481	429	517			
160M	200	509	609	544	629	314	262	232
	250	504	604	539	624			
	300	499	599	534	619			
	350	493	593	528	613			
	400	486	586	521	606			
	450	478	578	513	598			
550	470	570	505	590				

• 外形安装尺寸图数据 (Contour installation dimension drawing data)

中心高 Center for high	法兰外径 Flange Diameter	L1	L2	L3	L4	D	H1	H1
160L	200	553	653	588	673	314	262	232
	250	548	648	583	668			
	300	543	643	578	663			
	350	537	637	572	657			
	400	530	630	565	650			
	450	522	622	557	642			
180M/L	550	514	314	549	634	355	277	/
	250	578	378	608	720			
	300	573	373	603	715			
	350	567	667	597	709			
	400	560	660	590	702			
	450	552	652	582	694			
200L	550	544	644	574	686	397	313.5	/
	300	698	851	761	914			
	350	682	845	755	808			
	400	685	838	748	807			
	450	677	830	740	799			
225S	550	669	822	732	791	446	334	/
	300	716	849	789	921			
	350	710	843	783	915			
	400	703	836	776	908			
	450	695	828	768	900			
225M	550	687	820	760	892	485	368	/
	300	741	874	814	946			
	350	735	868	808	940			
	400	728	861	801	933			
	450	720	853	793	925			
250M	550	712	845	785	917	547	407	/
	350	806	970	850	1014			
	400	799	963	743	1007			
	450	791	955	935	999			
280S	550	783	947	927	991	547	407	/
	400	854	1014	899	1059			
	450	846	1006	891	1051			
280M	550	838	998	883	1043	547	407	/
	400	905	1065	950	1110			
	450	897	1057	942	1102			
	550	889	1049	936	1094	547	407	/



高效率隔爆型三相异步电动机

High Efficiency Explosion-proof Three Phase Asynchronous Motor

YBX3系列高效率隔爆型三相异步电动机是YB3系列的更新换代产品,电机效率符合GB18613-2020《中小型三相异步电动机能效限定值及能效等级》中的3级能效(IE3)。本系列电动机具有高效节能、温升裕度大、体积小、重量轻、外形美观、运行可靠、性能好、噪声低、振动小、使用维护方便的优点。适用于石油、煤矿井下(非采掘工作面)及工厂II A、II B、II C级,温度组分别为T1~T4的爆炸性气体环境的危险场所。

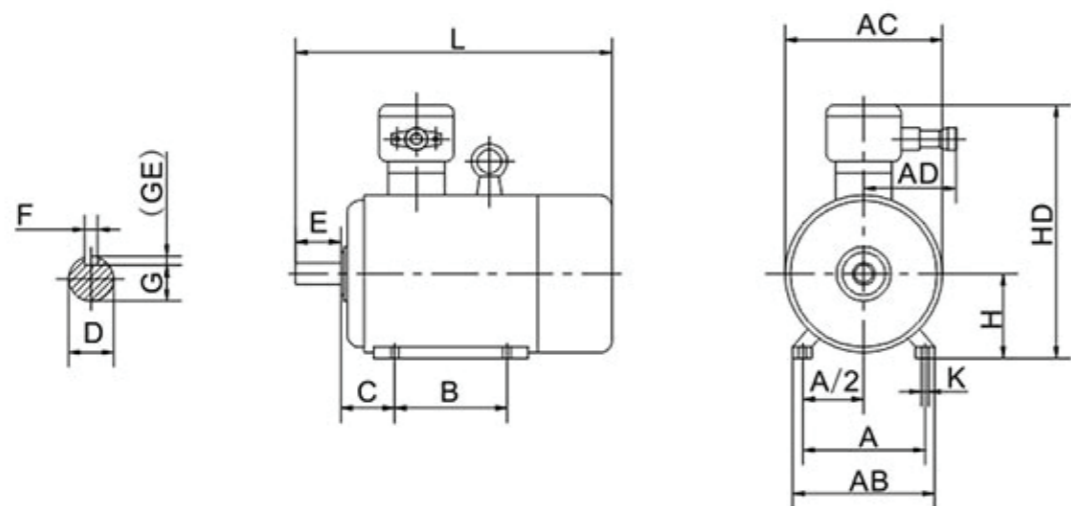
YBX3 series high-efficiency flameproof three-phase asynchronous motor is the replacement of YB3 series, motor efficiency in line with GB18613-2020 "Small and medium-sized three-phase asynchronous motor energy efficiency limits and energy efficiency grades" in the level 3 energy efficiency (IE3).

This series of motor has the advantages of high efficiency and energy saving, large temperature rise margin, small size, light weight, beautiful appearance, reliable operation, good performance, low noise, small vibration, convenient use and maintenance. It is suitable used for oil, coal mine underground (non-mining face) and factory II A, II B, II C grade, temperature groups are T1 ~ T4 explosive gas environment dangerous places.

• 技术参数 (Parameters)

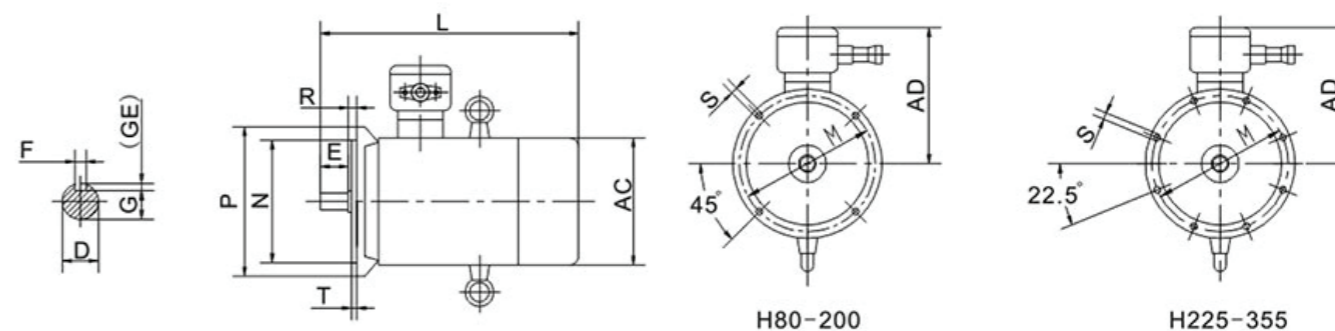
型号 Model	功率 Output (KW)	额定电压 Rated voltage V	额定电流 Rated Current A	额定转数 Rated Sync speed r/min	效率 Efficiency %	功率因数 Power factor cosΦ	额定转矩 Rated Torque (NM)	堵转转矩 / 额定转矩 Ts/Tn	堵转电流 / 额定电流 Is/In	最大转矩 / 额定转矩 Tmax/Tn	振动 Vibration class mm/s	噪音 Noise dB(A)	重量 Weight kg
80M1-2	0.75	380	1.7	2850	80.7	0.83	2.5	2.3	6.8	2.3	1.6	67	29
80M2-2	1.1	380	2.43	2840	82.7	0.83	3.7	2.3	7.3	2.3	1.6	67	31
90S-2	1.5	380	3.22	2850	84.2	0.84	5.0	2.3	7.6	2.3	1.6	72	36
90L-2	2.2	380	4.58	2850	85.9	0.85	7.4	2.3	7.8	2.3	1.6	72	40
100L-2	3.0	380	6.0	2870	87.1	0.87	10.0	2.3	8.1	2.3	1.6	76	50
112M-2	4.0	380/660	7.8/4.5	2890	88.1	0.88	13.2	2.3	8.3	2.3	1.6	77	67
132S1-2	5.5	380/660	10.6/6.1	2900	89.2	0.88	18.1	2.2	8.0	2.3	1.6	80	85
132S2-2	7.5	380/660	14.2/8.2	2900	90.1	0.89	24.7	2.2	7.8	2.3	1.6	80	89
160M1-2	11	380/660	20.6/11.9	2940	91.2	0.89	35.7	2.2	7.9	2.3	2.2	86	152
160M2-2	15	380/660	27.9/16.0	2940	91.9	0.89	48.7	2.2	8.0	2.3	2.2	86	164
160L-2	18.5	380/660	34.2/19.7	2940	92.4	0.89	60.1	2.2	8.1	2.3	2.2	86	177
180M-2	22	380/660	40.5/23.3	2950	92.7	0.89	71.2	2.2	8.2	2.3	2.2	88	240
200L1-2	30	380/660	54.9/31.6	2950	93.3	0.89	97.1	2.2	7.5	2.3	2.2	90	289
200L2-2	37	380/660	37.4/38.8	2950	93.7	0.89	119.8	2.2	7.5	2.3	2.2	90	307
225M-2	45	380/660	81.7/47.1	2960	94.0	0.89	145.2	2.2	7.6	2.3	2.2	92	378
250M-2	55	380/660	99.6/57.3	2970	94.3	0.89	176.9	2.2	7.6	2.3	2.2	92	529
280S-2	75	380/660	135.2/77.8	2970	94.7	0.89	241.2	2.0	6.9	2.3	2.2	94	645
280M-2	90	380/660	161.7/93.1	2970	95.	0.89	289.4	2.0	7.0	2.3	2.2	94	701
315S-2	110	380/660	197.3/113.6	2984	95.2	0.89	352.0	1.9	7.1	2.2	2.8	96	1075
315M-2	132	380/660	236/136	2984	95.4	0.89	422.5	1.9	7.1	2.2	2.8	96	1182
315L1-2	160	380/660	285.7/164.5	2984	95.6	0.89	512.1	1.9	7.1	2.2	2.8	98	1303
315L2-2	200	380/660	356.4/205.2	2984	95.8	0.89	640.1	1.9	7.1	2.2	2.8	98	1525
355S1-2	185	380/660	329.7/189.8	2980	95.8	0.89	592.9	1.9	7.1	2.2	2.8	98	1680
355S2-2	200	380/660	356.4/205.2	2980	95.8	0.89	640.9	1.9	7.1	2.2	2.8	98	1740
355M1-2	220	380/660	392.0/225.7	2980	95.8	0.89	705.0	1.8	7.1	2.2	2.8	100	1790
355M2-2	250	380/660	440.6/253.7	2980	95.8	0.90	801.2	1.8	7.1	2.2	2.8	100	1840
355L1-2	280	380/660	493.4/284.1	2980	95.8	0.90	897.3	1.8	7.1	2.2	2.8	100	2040
355L2-2	315	380/660	555.1/319.6	2980	95.8	0.90	1009.5	1.8	7.1	2.2	2.8	100	2060

• **YBX3-YFB3-YBD3系列电动机外形及安装尺寸 B3**
 (YBX3-YFB3-YBD3 series motor mounting and overall dimensions)



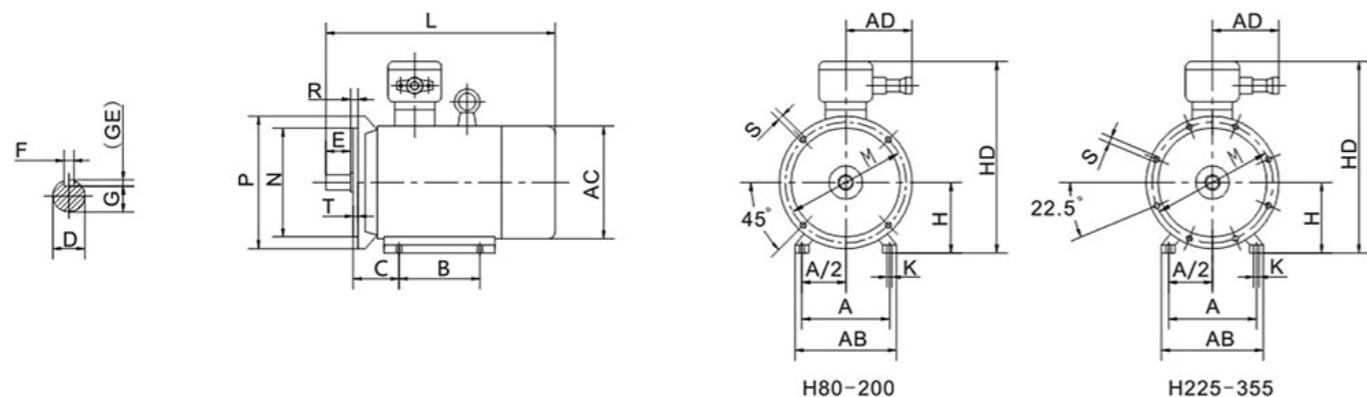
机座号 Stand No.	极数 Poles	安装尺寸 Mounting Dimension										外形尺寸 Overall Dimension				
		A	A/2	B	C	D	E	F	G	H	K	AB	AC	AD	HD	L
80M	2, 4, 6, 8	125	62.5	100	50	19	40	6	15.5	80	10	165	165	165	320	330
90S		140	70	100	56	24	50	8	20	90		180	180	180	350	380
90L		125		125												
100L		160	80	140	63	28	60		24	100	12	200	205	180	400	473
112M		190	95	140	70					112		245	230	200	425	520
132S		216	108	140	89	38	80	10	33	132	15	280	270	200	450	570
132M				178									615			
160M		254	127	210	108	42	110	12	37	160	19	330	325	220	520	755
160L				254										795		
180M		279	139.5	241	121	48	140	14	42.5	180	24	355	360	220	550	806
180L	279															
200L	318	159	305	133	55	16	49	200	28	390	400	250	645	865		
225S	4, 8		286		60	140	18	53		19	435	450	250	690	913	
225M	2	356	178	311	149	55	110	16	49						225	923
250M	2, 6, 8	406	203	349	168	60	140	18	58	250	24	490	500	300	730	995
280S	2															
280M	4, 6, 8	457	228.5	368	190	75	140	20	67.5	280	24	545	560	300	810	1047
280M	2															
315S	2	508	254	406	216	80	170	22	71	315	28	640	630	400	1020	1185
315M	4, 6, 8, 10															65
315L	2	508	254	457	216	80	170	22	71	315	28	640	630	400	1020	1305
315M	4, 6, 8, 10															65
355S	2	610	305	500	254	75	140	20	67.5	355	28	740	750	500	1080	1415
355M	4, 6, 8, 10															95
355L	2	630	305	560	254	75	140	20	67.5	355	28	740	750	500	1080	1535
355M	4, 6, 8, 10															95
355L	2	630	305	630	254	75	140	20	67.5	355	28	740	750	500	1080	1645
355M	4, 6, 8, 10															95

• **YBX3-YFB3-YBD3系列电动机外形及安装尺寸 B5**
 (YBX3-YFB3-YBD3 series motor mounting and overall dimensions)



机座号 Stand No.	极数 Poles	安装尺寸 Mounting Dimension											外形尺寸 Overall Dimension				
		D	E	F	G	M	N	P	R	S	T	凸缘孔数 FLANGE HOLES	AC	AD	L		
80M	4, 6, 8, 10	19	40	6	15.5	165	130	200	12	35	4	165	240	330			
90S		24	50	8	20										180	260	380
90L		125													410		
100L		160	80	140	63	28	60	24	215	180	250		215	180	473		
112M		190	95	140	70								240	190	520		
132S		216	108	140	89	38	80	10	33	265	230	300	15	4	4	570	
132M				178													275
160M		254	127	210	108	42	110	12	37	300	250	350	19	5	8	755	
160L				254													
180M		279	139.5	241	121	48	140	14	42.5	350	300	400	24	545	560	300	810
180L	279																
200L	318	159	305	133	55	16	49	200	350	300	400	19	5	8	420	305	865
225S	4, 8		286		60	140	18	53	400	350	450				19	5	913
225M	2	356	178	311	149	55	110	16	49	400	350	450			470	335	923
250M	2, 6, 8	406	203	349	168	60	140	18	58	250	24	490	500	300	730	995	
280S	2																
280M	4, 6, 8	457	228.5	368	190	75	140	20	67.5	280	24	545	560	300	810	1047	
280M	2																419
315S	2	508	254	406	216	80	170	22	71	315	28	640	630	400	1020	1185	
315M	4, 6, 8, 10															65	140
315L	2	508	254	457	216	80	170	22	71	315	28	640	630	400	1020	1305	
315M	4, 6, 8, 10															65	140
355S	2	610	305	500	254	75	140	20	67.5	355	28	740	750	500	1080	1415	
355M	4, 6, 8, 10															95	170
355L	2	630	305	560	254	75	140	20	67.5	355	28	740	750	500	1080	1535	
355M	4, 6, 8, 10															95	170
355L	2	630	305	630	254	75	140	20	67.5	355	28	740	750	500	1080	1645	
355M	4, 6, 8, 10															95	170

• YBX3-YFB3-YBD3系列电动机外形及安装尺寸 B35
(YBX3-YFB3-YBD3 series motor mounting and overall dimensions)



机座号 Stand No.	极数 Poles	安装尺寸 Mounting Dimension															外形尺寸 Overall Dimension						
		A	A/2	B	C	D	E	F	G	H	K	M	N	P	R	S	T	AB	AC	AD	HD	L	
80M	4, 6, 8, 10	125	62.5	100	50	19	40	6	15.5									165	165	165	320	330	
90S			140	70	100	56	24	50			10	165	130	200			12	3.5	180	180	180	350	380
90L					125				8														410
100L			160	80	140	63	28	60											200	205	180	400	473
112M			190	95	140	70													24	100			
132S					140																		570
132M			216	108	178	89	38	80	10	33	132								245	230	200	420	520
160M					210																		615
160L			254	127	254	108	42		12	37	160								280	270	200	450	755
180M					241																		795
180L		279	139.5	279	121	48	110	14	42.5	180								330	325	220	520		
200L		318	159	305	133	55		16	49	200								355	360	220	550	806	
225S	4, 8			286		60	140	18	53									390	400	250	645	865	
225M	2	356	178		149	55	110	16	49	225												913	
	4, 6, 8			311		60												19	400	350	450	923	
	2					60																953	
250M	2	406	203	349	168			18															
	4, 6, 8					65																	
	2					140																	
280S	2			368		75																	
	4, 6, 8	457	228.5		190	65												24	500	450	450	1047	
	2					65																	
280M	2			419		75																	
	4, 6, 8					20	67.5																
	2					18	58																
	4, 6, 8					20	67.5																
315S	2			406		65	140	18	58													1185	
	4, 6, 8, 10					80	170	22	71													1260	
	2					65	140	18	58													1305	
315M	2	508	254	457	216																	1380	
	4, 6, 8, 10					80	170	22	71	315		600	550	660				640	630	400	1020	1380	
	2					65	140	18	58													1305	
	4, 6, 8, 10			508		80	170	22	71													1380	
	2					75	140	20	67.5														
355S	2			500		95	170	25	86													1415	
	4, 6, 8, 10					75	140	20	67.5													1485	
	2					95	170	25	86													1535	
355M	2	610	305	560	254																	1605	
	4, 6, 8, 10					75	140	20	67.5	355		740	680	800				740	750	500	1080	1645	
	2					95	170	25	86													1675	
355L	2			630		75	140	20	67.5														
	4, 6, 8, 10					95	170	25	86														

YBX4 系列 Series



高效率隔爆型三相异步电动机

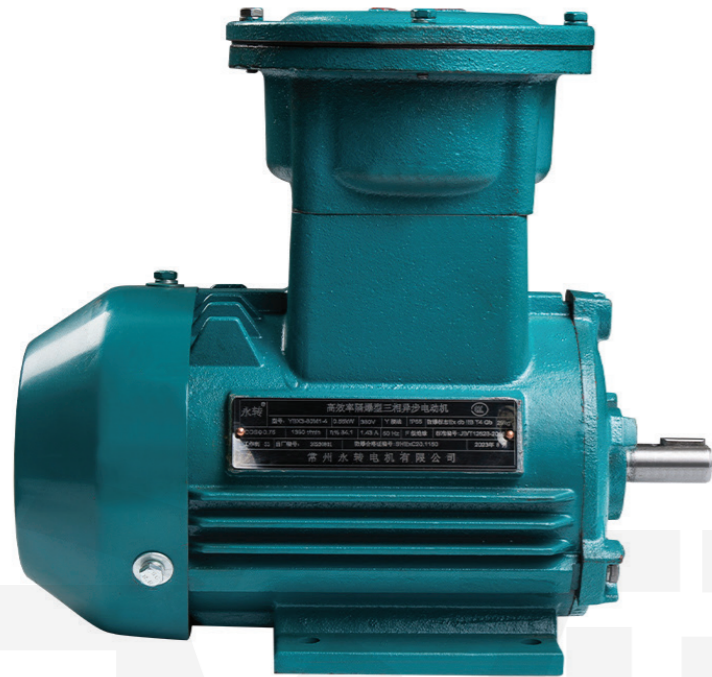
YBX4 Series High Efficiency Explosion-proof Three Phase Asynchronous Motor

YBX4系列高效率隔爆型三相异步电动机的效率符合GB18613-2020《中小型三相异步电动机能效限定值及能效等级》中的2级能效(IE4)。本系列电动机具有性能优良,使用安全可靠,振动、噪声比同类产品低的特点,符合节能环保要求。

防爆标志为Exd II BT4Gb,Exd II CT4Gb,可应用在石油化工、煤矿、矿山、港口、电厂、机械工业等不同行业,用于驱动各种通用机械,如风机、压缩机、破碎机、离心机、机床、运输机械,是理想的动力设备。

YBX4 series high-efficiency explosion-proof three-phase asynchronous motor, which motor efficiency is in line with GB18613-2020 "Small and medium-sized three-phase asynchronous motor energy efficiency limits and energy efficiency grades" in the level 2 energy efficiency (IE4). This series of motor has the characteristics of excellent performance, safe and reliable use, lower vibration and noise than similar products, and meets the requirements of energy saving and environmental protection.

The Explosion-proof mark is Exd II BT4Gb,Exd II CT4Gb, can be used in petrochemical, coal mine, mine, port, power plant, machinery industry and other different industries, used to drive a variety of general machinery, such as fans, compressors, crushers, centrifuges, machine tools, transportation machinery, is the ideal power equipment.



粉尘防爆型三相异步电动机

YFBX3 Series Dust Explosion-proof Three Phase Asynchronous Motor

YFBX3系列粉尘防爆型三相异步电动机相比于YBX3普通防爆电机, 防爆标志为Ex tb IIIC, T135°C Db。外壳防护型“tD”电机是粉尘防爆电机的一种型式, 其防止粉尘点燃原理是限制外壳和能够与粉尘接触的其它表面的最高表面温度, 采用防尘外壳来限制粉尘进入, 电机防护等级达到“IP65”。

适用于大气条件下形成的可燃性粉尘环境, 如医药、纺织(如棉花纤维、亚麻纤维、化纤纤维等)、冶金(镁粉、铝粉、碳粉等)、粮食加工(如小麦、玉米、谷物等)、饲料加工(血粉、鱼粉)、化肥、烟草、造纸、合成材料(如塑料、燃料)、建材等场所。

YFBX3 series dust explosion-proof three-phase asynchronous motor compared with YBX3 ordinary explosion-proof motor, explosion-proof mark is Ex tb IIIC, T135°C Db. Shell protection type "tD" motor is a type of dust explosion-proof motor, the principle of preventing dust ignition is to limit the maximum surface temperature of the shell and other surfaces that can be in contact with the dust, the dust-proof shell is used to limit the entry of dust, and the motor protection level reaches "IP65".

It is suitable for combustible dust environment formed under atmospheric conditions, such as medicine, textile (such as cotton fiber, flax fiber, chemical fiber, etc.), metallurgy (magnesium powder, aluminum powder, toner, etc.), food processing (such as wheat, corn, grain, etc.), feed processing (blood meal, fish meal), fertilizer, tobacco, paper making, synthetic materials (such as plastics, fuel), building materials and other places.

• 技术参数 (Parameters)

型号 Model	功率 Output (KW)	转速 Sync speed r/min	效率 Efficiency %	功率因数 Power factor cosΦ	电流 Current (380V)		转矩 Torque		
					额定电流 Rated Current IN(A)	堵转电流 Is 额定电流 In	额定转矩 Rated Torque (NM)	堵转转矩 Ts	最大转矩 Tmax
								额定转矩 Tn	额定转矩 Tn
63M1-2	0.18	2800	66.0	0.8	0.5	5.0	0.61	2.2	2.3
63M2-2	0.25	2800	68.0	0.81	0.7	5.0	0.85	2.2	2.3
71M1-2	0.37	2800	70.0	0.81	1.0	5.5	1.2	2.2	2.3
71M2-2	0.55	2800	73.0	0.82	1.4	5.5	1.8	2.2	2.3
80M1-2	0.75	2825	75.0	0.83	1.8	6.0	2.5	2.2	2.3
80M2-2	1.1	2825	78.0	0.84	2.6	6.0	3.7	2.2	2.3
90S-2	1.5	2840	79.0	0.84	3.4	7.0	5.0	2.2	2.3
90L-2	2.2	2840	81.0	0.85	4.9	7.0	7.4	2.2	2.3
100L-2	3	2880	83.0	0.87	6.3	7.0	9.9	2.2	2.3
112M-2	4	2890	85.0	0.88	8.2	7.0	13.2	2.2	2.3
132S1-2	5.5	2900	86.0	0.88	11.0	7.5	18.1	2.2	2.3
132S2-2	7.5	2900	87.0	0.88	14.9	7.5	24.7	2.2	2.3
160M1-2	11	2930	88.4	0.89	21	7.5	35.8	2.2	2.4
160M2-2	15	2930	89.4	0.89	29	7.5	48	2.2	2.4
160L-2	18.5	2930	90.0	0.90	35	7.5	60	2.2	2.4
180M-2	22	2940	90.5	0.90	41	7.5	71	2.0	2.3
200L1-2	30	2950	91.4	0.90	55	7.5	97	2.0	2.3
200L2-2	37	2950	92.0	0.90	68	7.5	119	2.0	2.3
225M-2	45	2970	92.5	0.90	82	7.5	144	2.0	2.3
250M-2	55	2970	93.0	0.90	100	7.5	176	2.1	2.3
280S-2	75	2970	93.6	0.90	135	7.5	241	2.0	2.3
280M-2	90	2970	93.9	0.91	160	7.5	289	2.1	2.3
315S-2	110	2980	94.0	0.91	195	7.0	352	1.8	2.3
315M-2	132	2980	94.5	0.91	233	7.0	423	1.8	2.3
315L1-2	160	2980	94.6	0.91	282	7.0	512	1.8	2.3
315L2-2	200	2980	94.8	0.92	348	7.0	640	1.8	2.3
同步转速 (Synchronous speed) 1500r/min									
63M1-4	0.12	1400	58.0	0.72	0.44	4.0	0.85	2.0	2.2
63M2-4	0.18	1400	63.0	0.73	0.6	4.0	1.3	2.0	2.2
71M1-4	0.25	1400	66.0	0.74	0.8	4.0	1.7	2.0	2.2
71M2-4	0.37	1400	69.0	0.75	1.1	4.0	2.5	2.0	2.2
80M1-4	0.55	1390	71.0	0.76	1.6	5.0	3.7	2.4	2.3
80M2-4	0.75	1390	73.0	0.77	2.0	5.0	5.1	2.4	2.3
90S-4	1.1	1400	76.2	0.78	2.9	6.0	7.5	2.3	2.3
90L-4	1.5	1400	78.5	0.79	3.7	6.0	10.2	2.3	2.3
100L1-4	2.2	1420	81.0	0.82	5.1	6.0	14.8	2.3	2.4
100L2-4	3	1420	82.6	0.82	6.7	6.0	20.1	2.3	2.4
112M-4	4	1440	84.2	0.82	8.8	6.0	26.5	2.3	2.4
132S-4	5.5	1440	86.0	0.84	11.7	7.0	36.4	2.3	2.4
132M-4	7.5	1440	87.0	0.85	15.6	7.0	49	2.3	2.4
160M-4	11	1460	88.4	0.85	23	7.0	71	2.2	2.4
160L-4	15	1460	89.4	0.85	30	7.0	98	2.2	2.4

• 技术参数 (Parameters)

型号 Model	功率 Output (KW)	转速 Syncspeed r/min	效率 Efficiency %	功率因数 Power factor cosΦ	电流(380V) Current(380V)		转矩 Torque		
					额定电流 Rated Current IN(A)	堵转电流 Is 额定电流 In	额定转矩 Rated Torque (NM)	堵转转矩 Ts 额定转矩 Tn	最大转矩 Tmax 额定转矩 Tn
180M-4	18.5	1470	90.5	0.86	36	7.0	120	2.2	2.3
180L-4	22	1470	91.2	0.86	42	7.0	142	2.2	2.3
200L-4	30	1470	92.0	0.87	57	7.2	194	2.2	2.4
225S-4	37	1480	92.5	0.87	71	7.2	238	2.2	2.4
225M-4	45	1480	92.8	0.88	85	7.2	290	2.2	2.4
250M-4	55	1480	93.0	0.88	104	7.2	354	2.2	2.4
280S-4	75	1480	93.8	0.88	139	7.2	483	2.2	2.4
280M-4	90	1485	94.2	0.89	167	7.2	578	2.1	2.4
315S-4	110	1485	94.5	0.89	203	7.0	707	2.1	2.4
315M-4	132	1485	94.8	0.89	241	7.0	848	2.1	2.4
315L1-4	160	1485	94.9	0.90	291	7.0	1028	2.1	2.4
315L2-4	200	1485	94.9	0.90	359	7.0	1286	2.1	2.3
同步转速 (Synchronous speed) 1000r/min									
71M1-6	0.18	900	62.0	0.66	0.8	4.0	2.0	1.9	2.1
71M2-6	0.25	900	63.0	0.68	0.9	4.0	2.8	1.9	2.1
80M1-6	0.37	910	63.0	0.70	1.3	4.0	3.8	1.9	2.1
80M2-6	0.55	910	66.0	0.72	1.8	4.0	5.7	1.9	2.1
90S-6	0.75	910	69.0	0.72	2.3	4.0	7.8	2.1	2.1
90L-6	1.1	910	73.0	0.73	3.2	5.0	11.5	2.1	2.1
100L-6	1.5	940	76.0	0.76	4.0	5.0	15.2	2.1	2.1
112M-6	2.2	940	79.0	0.76	5.6	5.0	22.3	2.1	2.1
132S-6	3	960	81.0	0.77	7.4	6.0	29.8	2.1	2.4
132M1-6	4	960	83.0	0.78	9.9	6.0	39.7	2.1	2.4
132M2-6	5.5	960	85.0	0.78	12.9	6.5	54	2.1	2.4
160M-6	7.5	970	86.0	0.79	17.2	6.5	73	2.1	2.4
160L-6	11	970	87.5	0.79	24	6.5	108	2.1	2.4
180L-6	15	970	89.0	0.81	31.4	7.0	147	2.1	2.1
200L1-6	18.5	970	90.0	0.83	37.9	7.0	182	2.2	2.4
200L2-6	22	970	90.0	0.83	45	7.0	216	2.2	2.4
225M-6	30	980	92.0	0.86	59	7.0	292	2.1	2.4
250M-6	37	980	92.0	0.86	72	7.0	360	2.1	2.4
280S-6	45	980	92.5	0.86	87	7.0	438	2.1	2.4
280M-6	55	980	92.8	0.86	106	7.0	535	2.1	2.3
315S-6	75	985	93.5	0.86	143	7.0	727	2.0	2.2
315M-6	90	985	93.8	0.86	171	7.0	872	2.0	2.2
315L1-6	110	985	94.0	0.86	206	7.0	1066	2.0	2.2
315L2-6	132	985	94.2	0.87	247	7.0	1279	2.0	2.2
同步转速 (Synchronous speed) 750r/min									
71M1-8	0.09	690	42.0	0.59	0.55	4.0	1.25	1.8	2.0
71M2-8	0.12	690	45.0	0.59	0.68	4.0	1.66	1.8	2.0
80M1-8	0.18	710	52.0	0.61	0.9	3.3	2.42	1.8	1.9
80M2-8	0.25	710	55.0	0.61	1.2	3.3	3.36	1.8	1.9
90S-8	0.37	710	63.0	0.62	1.5	4.0	4.9	1.8	2.0

YBBP 系列 Series



变频调速隔爆型三相异步电动机

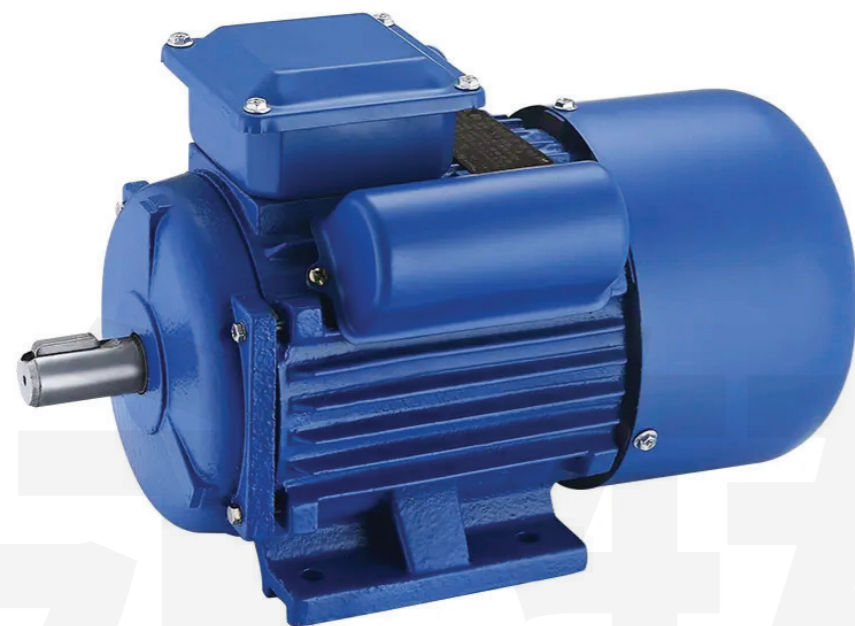
YBBP Series variable frequency speed Regulation Explosion-proof three-phase asynchronous motor

YBBP系列隔爆型变频三相异步电动机与变频器配合使用,可以实现宽频率范围内无极调速,具有调速范围广、动态相应快、调速精度高等特点。

YBBP系列电机尾部采用独立的轴流风机强迫通风,确保电机在不同转速运行时具有良好的冷却效果。该电动机变频范围:2P电机为5-60Hz,4-8P电机为5-100Hz,恒功率频率范围为5-100Hz。

The YBBP series explosion-proof variable frequency three-phase asynchronous motor can realize speed regulation without poles in a wide frequency range, and has the characteristics of wide speed regulation range, fast dynamic response and high speed regulation accuracy.

The YBBP series motor uses an independent axial fan for forced ventilation at the tail to ensure that the motor has a good cooling effect when running at different speeds. The motor frequency range: 2P motor is 5-60Hz, 4-8P motor is 5-100Hz, and constant power frequency range is 5-100Hz.



双值电容单相异步电动机

Two-value Capacitor Single Phase Asynchronous Motor

YCL系列电机为双值电容单相异步电机。它有运行电容和启动电容两个电容,为了增加电机的启动转矩,在电机启动时启动电容参与启动;电机启动后,启动电容被离心开关断开,运行电容参与运行。

它在结构上与三相异步电动机相似,有性能好,运行安全可靠,外形美观,维护方便,噪音低,振动小,结构轻巧简单等优点,被广泛应用于空压机、水泵、风扇、制冷器、医疗设备和小型机械等设备上。该系列电机是铁壳机座,主要出口于海外市场。

YCL series motors are dual capacitance single-phase asynchronous motors. It has two capacitors: a running capacitor and a starting capacitor. In order to increase the starting torque of the motor, the starting capacitor is involved in starting the motor when it starts. After motor start, the starting capacitor is disconnected by the centrifugal switch, and the running capacitor participates in the operation.

It is similar to the three-phase asynchronous motor in structure, with good performance, safe and reliable operation, beautiful appearance, easy maintenance, low noise, small vibration, light and simple structure and other advantages, is widely used in air compressors, pumps, fans, refrigerators, medical equipment and small machinery and other equipment. This series of motor is iron shell frame, and mainly exported to overseas markets.

• 技术参数 (Parameters)

型号 Model	功率 Output		电压 Voltage (V)	电流 Current (A)	转速 Speed (r/min)	效率 Eff (%)	功率因素 Power Factor cosΦ	堵转转矩 额定转矩 Tst/Tn	堵转电流 额定电流 Ist/In	最大转矩 额定转矩 Tmax/Tn
	HP	KW								
YCL80a-2	1/2	0.37	220	3.7	2880	62	0.73	2.8	6.5	1.8
YCL80B-2	3/4	0.55	220	5.3	2880	65	0.73	2.8	6.5	1.8
YCL80c-2	1	0.75	220	6.7	2880	68	0.75	2.8	6.5	1.8
YCL90s-2	1.5	1.1	220	9.1	2880	71	0.77	2.4	7.0	1.8
YCL90L-2	2	1.5	220	12.1	2900	72	0.78	2.4	7.0	1.8
YCL100L-2	3	2.2	220	17.1	2900	74	0.79	2.1	7.0	1.8
YCL112M1-2	4	3	220	21.4	2900	76	0.84	2.2	7.0	1.8
YCL112M2-2	5	3.7	220	24.8	1450	79	0.86	2.2	7.0	1.8
YCL80a-4	1/3	0.25	220	3.4	1450	56	0.60	2.8	6	1.8
YCL80b-4	1/2	0.37	220	4.5	1450	60	0.62	2.8	6	1.8
YCL80c-4	3/4	0.55	220	6.0	1450	64	0.65	2.8	6	1.8
YCL90s-4	1	0.75	220	7.7	1450	67	0.66	2.4	6.5	1.8
YCL90L-4	1.5	1.1	220	10.5	1450	70	0.68	2.4	6.5	1.8
YCL100L-4	2	1.5	220	13.5	1450	72	0.70	2.4	6.5	1.8
YCL112M-4	3	2.2	220	19.3	1450	72	0.72	2.2	6.5	1.8
YCL132SA-4	4	3	220	25.2	1450	74	0.73	2.1	6.5	1.8
YCL132SB-4	5	3.7	220	30	1450	75	0.74	2.1	6.5	1.8
YCL132M-4	7.5	5.5	220	32.5	1450	81	0.95	2.1	6.5	1.8



双值电容单相异步电动机

Two-value Capacitor Single Phase Asynchronous Motor

YL系列电机与YCL系列电机相比,都是双值电容单相异步电机,只是YL系列电机机座是铝壳材质,在外形上与后者有一些差别。由于其结构简单、成本低廉、维护及使用方便等优点,被广泛应用于自动控制、医疗机械、洗衣机、电冰箱、吸尘器、小型鼓风机等设备中。

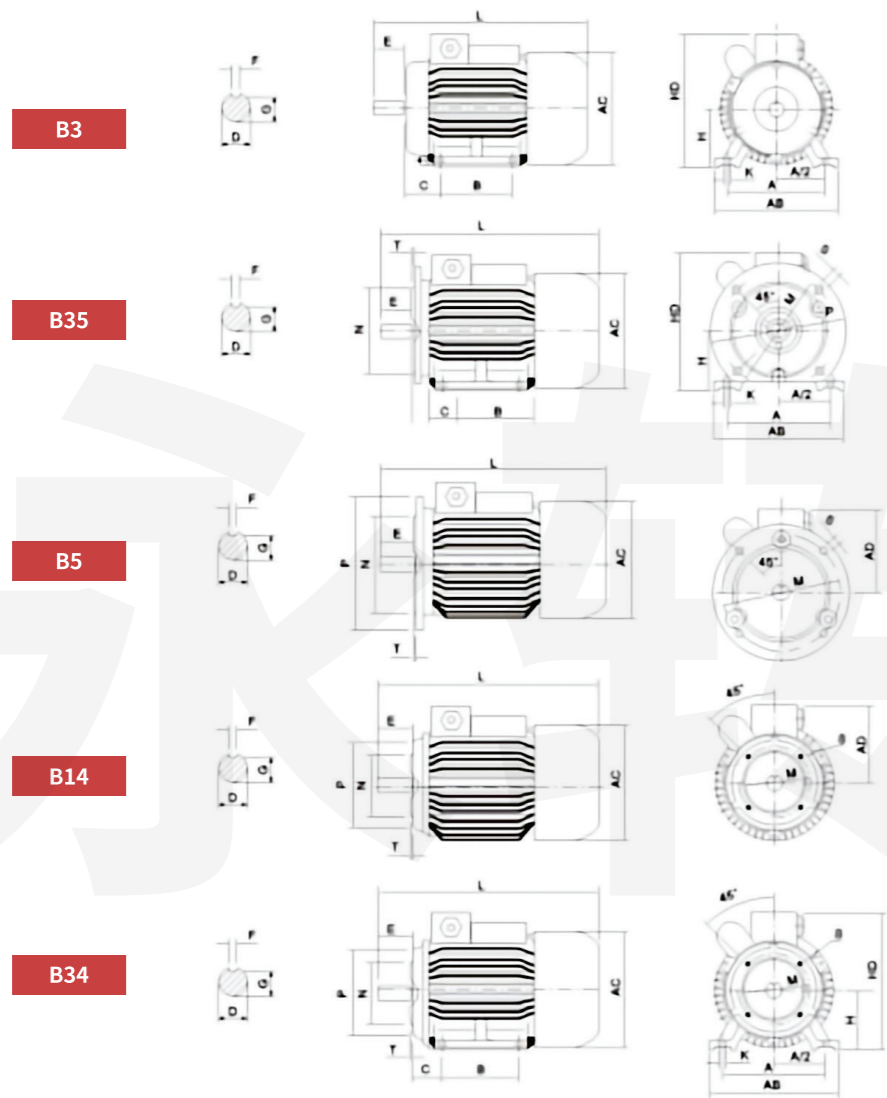
YL series motor compare with YCL series motor, is also dual capacitance single-phase asynchronous motor, but YL series motor frame is aluminum shell, there are some differences in appearance with YCL. Because of its simple structure, low cost, easy maintenance and use, it is widely used in automatic control, medical machinery, washing machines, refrigerators, vacuum cleaners, small blowers and other equipment.

• 技术参数 (Parameters)

型号 Model	功率 Power (KW)	额定电流 Rated current (A)	转速 Speed (r/min)	效率 Eff (%)	功率因素 Power Factor cosΦ	堵转转矩 额定转矩 Tst/Tn	堵转电流 LST (A)
YL711-2	0.37	2.2	2800	67	0.92	1.8	16
YL712-2	0.55	3.9	2800	70	0.92	1.8	21
YL801-2	0.75	4.9	2800	72	0.95	1.8	29
YL802-2	1.1	7	2800	75	0.95	1.8	40
YL90S-2	1.5	9.4	2800	76	0.95	1.7	55
YL90L-2	2.2	13.7	2800	77	0.95	1.7	80
YL100L1-2	3	18.2	2800	79	0.95	1.7	110
YL112M-2	4	26.6	2850	77	0.82	2.2	175
YL132S-2	4	27.5	2800	79	0.86	1.7	180
YL132M-2	5.5	32.5	2800	81	0.95	1.7	230
YL711-4	0.25	2	1400	62	0.92	1.8	12
YL712-4	0.37	2.8	1400	65	0.92	1.8	16
YL801-4	0.55	4	1400	68	0.92	1.8	21
YL802-4	0.75	5.1	1400	71	0.92	1.8	29
YL90S-4	1.1	7.3	1400	73	0.95	1.7	40
YL90L-4	1.5	9.7	1400	75	0.95	1.7	55
YL100L1-4	2.2	13.9	1400	76	0.95	1.7	80
YL112M-4	3	18.6	1400	77	0.95	1.7	110
YL132S-4	4	27.1	1400	78	0.77	2.2	175
YL132M-4	5.5	31.2	1400	78	0.95	2.2	230

• 外形与安装尺寸图

Figure of external mounting dimensions.



机座号 Stand No.	安装尺寸 Mounting dimensions											外形尺寸 Out Line dimensions																
	A	A/2	B	C	D	E	F	G	H	K	IMB14 034						IMBB5 035					AB	AC	AD	AE	HD	L	
											M	N	P	R	S	T	M	N	P	R	S							T
71	112	56	90	45	14	30	5	11	71	7	85	70	105	0	M6	2.5	130	110	160	0	10	3.5	145	145	140	95	180	255
80	125	62.5	100	50	19	40	6	15.5	80	10	100	80	120	0	M6	3	165	130	200	0	12	3.5	160	165	150	110	200	295
90S	140	70	100	56	24	50	8	20	90	10	115	95	140	0	M8	3	165	130	200	0	12	3.5	180	185	160	120	220	370
90L	140	70	125	56	24	50	8	20	90	10	115	95	140	0	M8	3	165	130	200	0	12	3.5	180	185	160	120	220	400
100L	160	80	140	63	28	60	8	24	100	12	-	-	-	-	-	215	180	250	0	15	4	205	200	180	130	260	430	
112M	190	95	140	70	28	60	8	24	112	12	-	-	-	-	-	215	180	250	0	15	4	245	250	190	140	300	455	
132S	216	108	140	89	38	80	10	33	132	12	-	-	-	-	-	265	230	300	0	15	4	280	290	210	155	350	525	
132M	216	108	178	88	38	80	10	33	132	12	-	-	-	-	-	265	230	300	0	15	4	280	290	210	155	350	565	

YC 系列 Series



电容启动单相异步电动机

Capacitor Starting Single Phase Asynchronous Motor

YC系列电机是一种单电容启动单相异步电机，它有起动转矩大，过载能力强，低温升，低噪声，节能省电等特点，主要应用于空压机、水泵、洗衣机、冰箱、小型钻孔机等机械。

YC series motor is single capacitor starting single-phase asynchronous motor, it has the characteristics of large starting torque, strong overload capacity, low temperature rise, low noise, energy saving, etc., mainly used in air compressor, water pump, washing machine, refrigerator, small drilling machine and other machinery.

• 技术参数 (Parameters)

型号 Model	功率 Power (KW)	额定电流 Rated current (A)	转速 Speed (r/min)	效率 Eff (%)	功率因素 Power Factor cosΦ	堵转转矩 额定转矩 Tst/Tn	堵转电流 额定电流 Ist/In	最大转矩 额定转矩 Tmax/Tn	噪声 Noise (A)
YC711-2	0.18	1.9	2800	60	0.72	3.0	1.8	12	70
YC712-2	0.25	2.4	2800	64	0.74	3.0	1.8	15	70
YC801-2	0.37	3.4	2800	65	0.77	2.8	1.8	21	75
YC802-2	0.55	4.7	2800	68	0.79	2.8	1.8	29	75
YC90S-2	0.75	6.1	2800	70	0.80	2.5	1.8	37	75
YC90L-2	1.1	8.7	2800	72	0.80	2.5	1.8	60	78
YC100L1-2	1.5	11.4	2800	74	0.81	2.5	1.8	80	83
YC100L2-2	2.2	16.5	2800	75	0.81	2.2	1.8	120	83
YC112M-2	3	21.9	2800	76	0.82	2.2	1.8	150	87
YC112M2-2	4	24.8	2850	78	0.86	2.2	1.8	170	87
YC132S-2	4	26.6	2850	77	0.82	2.2	1.8	175	82
YC711-4	0.12	1.9	1400	50	0.58	3.0	1.8	9	65
YC712-4	0.18	2.5	1400	53	0.62	2.8	1.8	12	65
YC801-4	0.25	3.1	1400	58	0.63	2.8	1.8	15	65
YC802-4	0.37	4.2	1400	62	0.64	2.5	1.8	21	70
YC90S-4	0.55	5.5	1400	66	0.69	2.5	1.8	29	70
YC90L-4	0.75	6.9	1400	68	0.73	2.5	1.8	37	70
YC100L1-4	1.1	9.5	1400	71	0.74	2.5	1.8	60	73
YC112M-4	1.5	12.5	1400	73	0.75	2.5	1.8	80	78
YC100L2-4	2.2	17.8	1400	74	0.76	2.2	1.8	120	78
YC132S-4	3	23.6	1400	75	0.77	2.2	1.8	150	82
YC132M-4	3.7	28	1400	76	0.79	2.2	1.8	175	82
YC132L-4	5.5	30.5	1400	82	0.84	2.2	2	198	93
YC160M1-4	5.5	37.2	1400	75	0.77	2.1	2	310	96
YC160M2-4	7.5	50.3	1400	78	0.76	2.1	2	350	87

摆线针轮减速机

Cycloid Reducer



装配方式 Assembly method	传动比 Transmission ratio		
	单级 Single stage	双级 Double stage	三级 Three stage
卧式、立式、双轴型和直联型等 horizontal, vertical, biaxial and direct type, etc	9-87 传动效率90%以上 9-87, transmission efficiency over 90%	121-5133	6545-446571
<p>摆线针轮减速机是一种采用摆线针齿啮合行星传动原理的传动机型,可正反转,具有经久耐用、体积小、维修方便、容易分解安装等优点。其独特的平稳结构在许多情况下可替代普通圆柱齿轮减速机及蜗轮蜗杆减速机,因此,摆线减速机在各个行业和领域被广泛的使用,受到广大用户的普遍欢迎。</p> <p>Cycloid reducer is a transmission model which adopts the principle of cycloidal pin gear meshing planetary transmission. It can run in positive and negative direction, and has the advantages of durable, small size, convenient maintenance, easy decomposition and installation. Its unique smooth structure can replace ordinary cylindrical gear reducer and worm gear reducer in many cases, therefore, cycloid reducer is widely used in various industries and fields, and is widely welcomed by the majority of users.</p>			

齿轮减速机

Gear Motor

• 产品特性 (Features of Products)

01 高度模块化设计

Highly Standard Modular Designed

可以方便地配用各种型式的电动机或采用其它动力输入。同种机型可配用多种功率的电动机。容易实现各机型间组合联接。

The products are connected with and driven by different types of motors or other kinds of input power. The same type geared motor can be adapted to optioned powers of motors. It is therefore easy to realize different solutions for varied.

03 安装形式

Mounting Arrangement

安装位置不受限制。

No strict limitation to the mounting arrangement.

05 使用寿命长

Long Service Life

在正确选型(包括选用适当的使用系数)和正常使用维护的条件下,减速机(除易损件外)的主要零部件寿命一般不低于 25000 小时。易损件包括润滑油、油封以及轴承。

Under the conditions of accurately selecting type size and the normal maintenance and use, main components (except those easily-disabled parts) can last as long as up to more than 25,000 hours. Easily-disabled parts include lubricating oil, oil seals, and bearings.

07 效率高

Highly Efficiency

单机型齿轮效率不低于 95%, 蜗轮蜗杆效率能达到 89%。

The efficiency of gear unit is more than 95%, The efficiency of worm gear unit can reach 89%.

02 传动比

Ratio

划分细, 范围广。组合机型可以形成很大的传动比, 即输出极低的转速。

Featured many closely divided ratios and wide ranges of them. Very big final ratios can be obtained through combined unites to reach extremely low output speeds.

04 强度高、体积小

High Strength, Compact Dimension

箱体采用高强度铸铁。齿轮及齿轮轴采用气体渗碳淬火精磨工艺, 因而单位体积承载能力高。

Housings are made of high strength cast iron. Gears and shaft gears are finished with gas carburising process and precise grinding to sequentially get high loading capacity of per certain volume.

06 噪声低

Low Noise

减速机主要零部件都经过精密加工, 并通过精心组装和测试, 因而减速机噪声较低。

All key components are finished by precisely machining, accurate assembly, and finally tested, and therefore, fairly low noise is reached.

08 可承受较大的径向载荷。

Large Radial Loading Ability

R系列斜齿轮减速机

R Series Helical Gear Motor

传动比 Transmission Ratio	1.3-289.74
额定功率 Rated Power	0.12-160 kW
输出扭矩 Output Torque	3.5-23200 N.m
安装方式 Installation Method	卧式horizontal / 立式Vertical type



S系列斜齿轮蜗轮蜗杆减速机

S Series Worm Helical Gear Motor

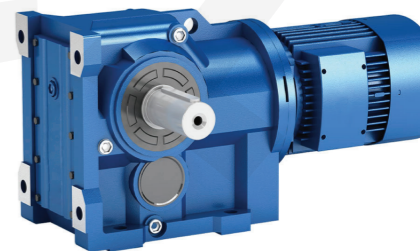
传动比 Transmission Ratio	6.8-288
额定功率 Rated Power	0.12-22 kW
输出扭矩 Output Torque	11-4530 N.m
安装方式 Installation Method	卧式horizontal / 立式Vertical type



K系列斜齿轮-锥齿轮减速机

K Series Helical Bevel Gear Motor

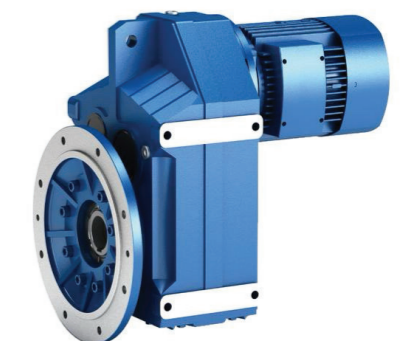
传动比 Transmission Ratio	5.36-197.37
额定功率 Rated Power	0.12-200 kW
输出扭矩 Output Torque	10-62800 N.m
安装方式 Installation Method	卧式horizontal / 立式Vertical type



F系列平行轴斜齿轮减速机

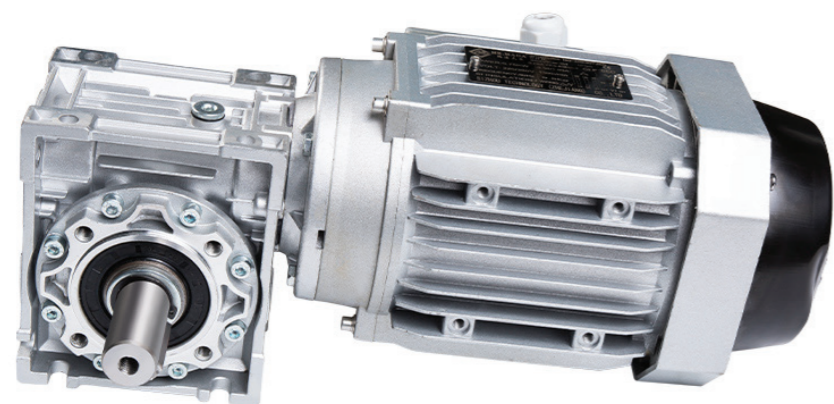
F Series Parallel Shaft Helical Gear Motor

传动比 Transmission Ratio	3.77-276.77
额定功率 Rated Power	0.12-200 kW
输出扭矩 Output Torque	3.5-21700 N.m
安装方式 Installation Method	卧式horizontal / 立式Vertical type



NMRV蜗轮蜗杆减速机

NMRV Series Worm Gearbox



主要性能 Main Performance

输出扭矩 Output Torque	输入转速 Input Speed	输出转速 Output Speed	传动比 Ratio	机壳材质 Housing Material	安装方式 Mounted Form	输出方式 Output Form
4-2320N.m	1400 r/min (4pole)	14-186.7 r/min	7.5,10,15, 20,25,30, 40,50,60, 80,100	铝壳/铁壳 Aluminum&iron casting	法兰安装 flange-mounted mounting	实心或空心轴, 法兰输出 Solid or Hollow shaft, flange output

NMRV蜗轮减速机,外形采用方箱形的结构,机箱用优质铝合金压铸而成,具有外形美观、体积小重量轻,散热快、安装方式多样、效率高、输出扭矩大、传动平稳、噪音小、传动比大等特点。已广泛运用于输送、纺织、包装、环保等行业工艺装备的机械减速装置。

NMRV worm gearbox reducer, use the shape of the square box structure, the chassis is made of high-quality aluminum alloy die-casting, with many characteristics of beautiful appearance, small volume, light weight, cooling block, installation methods, high efficiency, output torque, smooth transmission, low noise, large transmission ratio etc. It has been widely used in conveying, textile, packaging, environmental protection and other industries process equipment mechanical deceleration device.